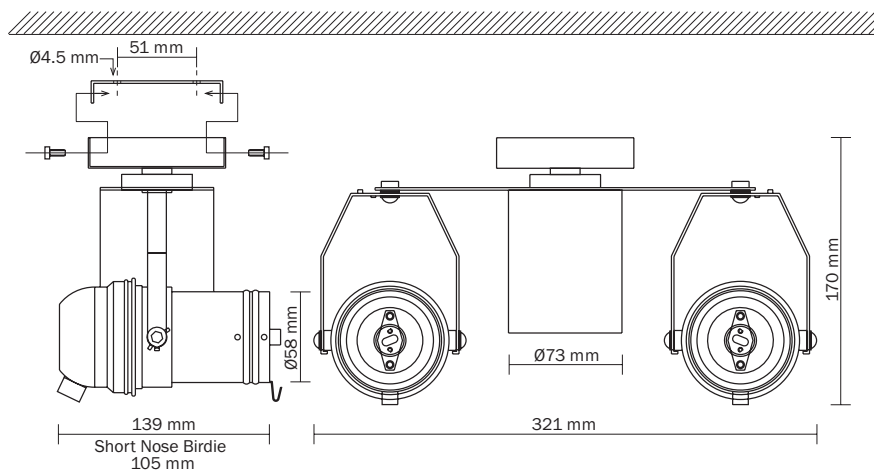


# Specification Sheet 9390-1\*

Issue Date: November 2009



**Product Name:**

A2 Birdie

**Description:**

Twin Birdie Integral Electronic Low Voltage Spotlight on Surface Plate

**Part Number:**

9390-1\*

\* = Finish Code

**TECHNICAL DETAILS**

**Lamp:** QRCB51 / HRGI-GU5.3-51

**Lamp Holder:** Bi-Pin GU5.3

**Supply Voltage:** 230/240V

**Lamp Voltage:** 12V

**Lamp Wattage:** 2x 20 - 50W

**Weight:** 1.1kg

**Glass Size:** 70x70x3mm or Ø54mm

**Housing:**

Steel and aluminium with a polyester powder coated finish

**Transformer:**

Integral electronic transformer with inbuilt dimmer, dimmable to nominal 25% intensity  
Remote dimming is possible with most domestic or hard fired simmers. Please ask to confirm specific compatibility

**NB** Light fittings become hot during use – please exercise appropriate caution.



**Sample Lamp Data for BLV 12V 50W MR16 Tungsten Halogen Ø51mm Dichroic Reflector**

Beam Detail	LP Code	Peak Illumination / Lux				AV Lamp Life / hours	Colour Temperature / °K
		1.0m	2.0m	3.0m	4.0m		
12° Spot	105-018	11,000	2,750	1,222	688	4,000	3,000
24° Flood	105-019	2,800	700	311	175	4,000	3,000
36° Wide Flood	105-020	1,580	395	176	99	4,000	3,000
60° Very Wide Flood	105-021	850	213	94	53	4,000	3,000
24° Flood	105-062	2,200	550	244	138	10,000	3,100
36° Wide Flood	105-063	1,500	375	167	94	10,000	3,100

Please note that alternative beam angles and lamp wattage may be available. Please refer to lamp specification sheet LS002 for more details.

**FINISHES AVAILABLE**

**White (RAL 9010)**  
Part Number 9390\*-11

**Black (RAL 9011)**  
Part Number 9390\*-12

**Specified BS/RAL**  
Part Number 9390\*-13 + BS/RAL No

**FACTORY FITTED OPTIONS**

Long Nose and Single Clip 9390-1\*  
Short Nose and Single Clip 93902-1\*  
Long Nose and Double Clip 93903-1\*  
Short Nose and Double Clip 93904-1\*

**ACCESSORIES / SPARES**

Accessory Holder	248-0201-*
Gel Frame	248-0202-*
Barndoor Disposable	248-02033-*
Barndoor Hinged	248-0204-*
Replacement Standard Snoot	248-0207-*
Replacement Short Snoot	248-0208-*
Ø Colour Glass ◊	248-0110-***
Ø Spread Lens Ribbed ◊	248-0111
Ø UV Filter ◊	248-0113
Ø IR Filter ◊	248-0114
Ø Colour Dichroic Glass ◊	248-0115-***
Ø Light Frost ◊	248-0116
Ø Medium Frost ◊	248-0117
Ø Heavy Frost ◊	248-0118
Sq Colour Glass	248-0210-***
(See sheet CG001)	
Sq UV Filter	248-0213
Sq IR Filter	248-0214
Sq Colour Dichroic Glass	248-0215-***
(See sheet CDG001)	
Sq Light Frost	248-0216
Sq Medium Frost	248-0217
Sq Heavy Frost	248-0218
5mm Louvre ◊	248-0221-2
13.5mm Louvre ◊	248-0222-2

◊ Indicates Accessory Holder and C Spring is required

**SPECIFICATION EXAMPLE**

A2 Birdie, Long Nose, Single Clip, Black Finish with Sq Light Frost and 12V 50W 24° Lamp:

Fitting Code (with finish) + Option Code + Accessory Codes + Lamp Code

**9390-12 + 248-0216 + 105-019**

**Light Projects** is a division of the Light Projects Group of companies, London. **Product Improvements** In pursuance of the Light Projects Group policy of continuing product improvement, the products and product specifications included in this publication are liable to be modified without notice. **Trademarks** Unless otherwise indicated, the trademarks and tradenames in this publication are registered, or unregistered, industrial property rights of Light Projects Limited. **Patents** The fitting in this publication may be covered by Patents, Patent Applications and/or Design Registrations. Designed to conform to BS EN 60598. This specification sheet supersedes all previous. Please notify Light Projects Limited of any inaccuracies immediately. E&OE.

**Light Projects** 23 Jacob St London SE1 2BG Tel +44 (0)20 7231 8282 Fax +44 (0)20 7237 4342  
Website www.lightprojects.co.uk Email info@lightprojects.co.uk