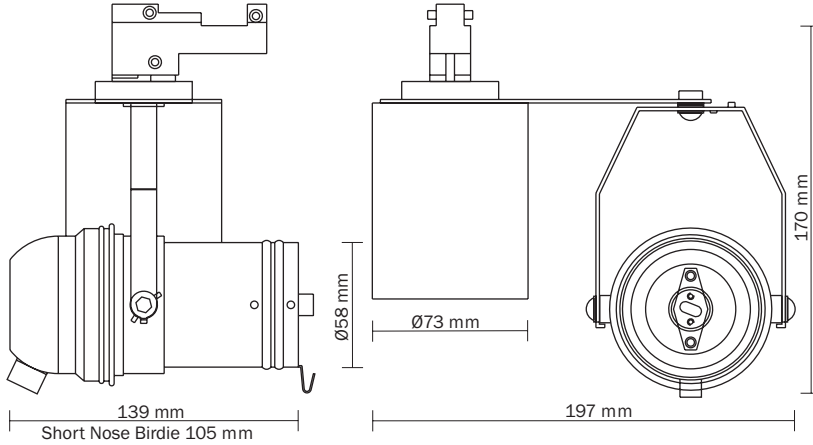


Specification Sheet 9380-4*

Issue Date: November 2009



Product Name:

C Birdie

Description:

Birdie Integral Low Voltage Spotlight on Single Circuit Track Adaptor

Part Number:

9380-4*

* = Finish Code

TECHNICAL DETAILS

Lamp: QRCB51 / HRGI-GU5.3-51

Lamp Holder: Bi-Pin GU5.3

Supply Voltage: 230/240V

Lamp Voltage: 12V

Lamp Wattage: 20 - 75W

Weight: 0.7kg

Glass Size: 70x70x3mm or Ø54mm

Housing:

Steel and aluminium with a polyester powder coated finish

Transformer:

Integral electronic transformer with inbuilt dimmer, dimmable to nominal 25% intensity. Remote dimming is possible with most domestic or hard fired simmers. Please ask to confirm specific compatibility

Track Adaptor:

Supplied with single circuit track adaptor. For more information please refer to track specification sheet TK003

NB Light fittings become hot during use – please exercise appropriate caution.



Sample Lamp Data for BLV 12V 50W MR16 Tungsten Halogen Ø51mm Dichroic Reflector

Beam Detail	LP Code	Peak Illumination / Lux				AV Lamp Life / hours	Colour Temperature / °K
		1.0m	2.0m	3.0m	4.0m		
12° Spot	105-018	11,000	2,750	1,222	688	4,000	3,000
24° Flood	105-019	2,800	700	311	175	4,000	3,000
36° Wide Flood	105-020	1,580	395	176	99	4,000	3,000
60° Very Wide Flood	105-021	850	213	94	53	4,000	3,000
24° Flood	105-062	2,200	550	244	138	10,000	3,100
36° Wide Flood	105-063	1,500	375	167	94	10,000	3,100

Please note that alternative beam angles and lamp wattage may be available. Please refer to lamp specification sheet LS002 for more details.

FINISHES AVAILABLE

White (RAL 9010)
Part Number 9380*-41

Black (RAL 9011)
Part Number 9380*-42

Specified BS/RAL
Part Number 9380*-43 + BS/RAL No

FACTORY FITTED OPTIONS

Long Nose and Single Clip	9380-4*
Short Nose and Single Clip	93802-4*
Long Nose and Double Clip	93803-4*
Short Nose and Double Clip	93804-4*

Track Adaptor

Single circuit track adaptor fits Concord Lytespan 1 single circuit mains voltage track

ACCESSORIES / SPARES

Accessory Holder	248-0201-*
Gel Frame	248-0202-*
Barndoor Disposable	248-02033-*
Barndoor Hinged	248-0204-*
Replacement Standard Snoot	248-0207-*
Replacement Short Snoot	248-0208-*
Ø Colour Glass ◊	248-0110-***
Ø Spread Lens Ribbed ◊	248-0111
Ø UV Filter ◊	248-0113
Ø IR Filter ◊	248-0114
Ø Colour Dichroic Glass ◊	248-0115-***
Ø Light Frost ◊	248-0116
Ø Medium Frost ◊	248-0117
Ø Heavy Frost ◊	248-0118
Sq Colour Glass	248-0210-***
(See sheet CG001)	
Sq UV Filter	248-0213
Sq IR Filter	248-0214
Sq Colour Dichroic Glass	248-0215-***
(See sheet CDG001)	
Sq Light Frost	248-0216
Sq Medium Frost	248-0217
Sq Heavy Frost	248-0218
5mm Louvre ◊	248-0221-2
13.5mm Louvre ◊	248-0222-2

◊ Indicates Accessory Holder and C Spring is required

SPECIFICATION EXAMPLE

C Birdie, Long Nose, Single Clip, Black Finish with Sq Light Frost and 12V 50W 24° Lamp:

Fitting Code (with finish) + Option Code + Accessory Codes + Lamp Code

9380-42 + 248-0216 + 105-019

Light Projects is a division of the Light Projects Group of companies, London. Product Improvements In pursuance of the Light Projects Group policy of continuing product improvement, the products and product specifications included in this publication are liable to be modified without notice. Trademarks Unless otherwise indicated, the trademarks and tradenames in this publication are registered, or unregistered, industrial property rights of Light Projects Limited. Patents The fitting in this publication may be covered by Patents, Patent Applications and/or Design Registrations. Designed to conform to BS EN 60598. This specification sheet supersedes all previous. Please notify Light Projects Limited of any inaccuracies immediately. E&OE.