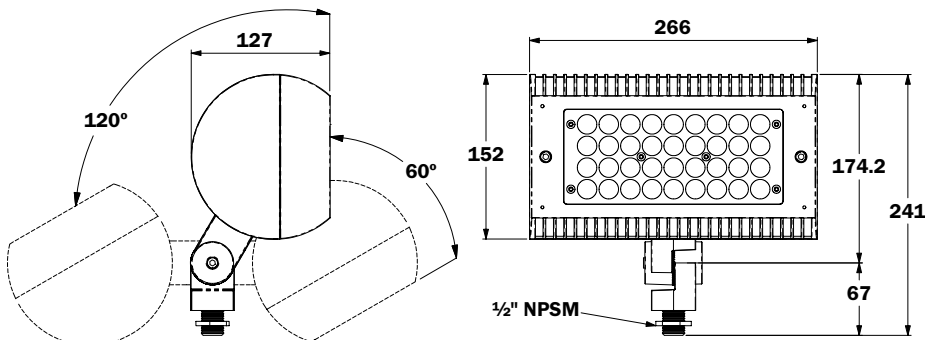


**Specification Sheet CFL-CCR-\*\***

Issue Date: January 2006



**CE** IP 66

The CFL Colour Changer provides a breakthrough in lighting specification, allowing a wide range of colour change, dimming and sequencing. Applications such as floodlighting, highlighting and wall grazing can now be realised with dynamic DMX control.

Luxeon light sources are high output, highly efficient LED devices with the benefits of low power, low heat, low UV light output. Lighting elements are shock and vibration resistant and contain no glass or mercury.

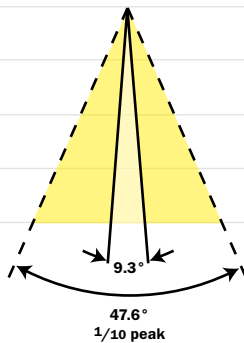
The array of 36 Luxeon LEDs is mounted on custom aluminium heat sink thermally bonded to CFL housing to maintain optimum operating temperature.

DMX dimming and colour change controller is remote. DMX Address selection is via DIP switches on controller which are factory set to Address 511 for colour scrolling.

**Photometric Data for RGB 6° Array**

The photometric performance of the CFL Colour Changer is not directly comparable with conventional light sources. In order to assist specifiers the unit photometry is provided for full power, balanced white and primary red, green and blue. Note that outputs for primary colours are additive in order that custom array output combinations may be assessed. Table shows dominant wavelength for the primary colours. Balanced white = Red 44% + Green 100% + Blue 40%. Photometry is available in IES, TM14 or LUMDAT formats upon request.

All Channels	Red 628 nm	Green 530 nm	Blue 470 nm	Balanced white	Throw	Beam Diameter
<b>9210 cd</b>	<b>4133 cd</b>	<b>4654 cd</b>	<b>427 cd</b>	<b>6640 cd</b>	<b>0</b>	<b>1/2 peak</b>
9210 lx	4133 lx	4654 lx	417 lx	6640 lx	1m	0.18m
2303 lx	1033 lx	1163 lx	106 lx	1660 lx	2m	0.32m
1020 lx	459 lx	517 lx	47 lx	740 lx	3m	0.48m
575 lx	258 lx	209 lx	27 lx	415 lx	4m	0.65m
370 lx	135 lx	186 lx	17 lx	265 lx	5m	0.81m



**PRODUCT CODING OPTIONS**

**① - LED Array Colours**

Standard Light Fitting has an array of Red, Green & Blue Luxeon LEDs to provide full colour mixing.

Colour code ① = RGB

Also available with single colour or custom combinations of LEDs with dimming control.

① = R Red, ① = G Green, ① = B Blue.

Codes for basic combinations e.g.

① = RRB = 2 channels Red + 1 Blue. Details of combinations available upon request.

Example: CFL-CCR/RGB/6/BL-P = Red+Green+Blue 6° black

② - Beam Angle Luxeon LEDs are available with flexible optics to provide 3 beam angles.

② = 6 Nominal 6° Beam Optic, ② = 15 Nominal 15° Beam Optic, ② = 25 Nominal 25° Beam Optic.

③ - Finish colours standard

BL-P Black, DB-P Dark Bronze, GR-P Verde green, WH-P White, LG-P Light Grey, PS-P Platinum Silver.

RAL or custom colours available upon request



**Product Name:**

CFL Colour Changer

**Description:**

Compact exterior floodlight with high output Luxeon™ LED Array, built in DMX Controller

**Part Number:** CFL-CCR/①/②/③

① = LED Array Colour

② = Beam angle

③ = Finish colours

See product coding option for details

**TECHNICAL DETAILS**

**Housing:** KIM Lighting - CFL Compact Floodlight @

**Materials:** Die-cast aluminium

**Swivel:** Die-cast aluminium with locking teeth, tilt horizontal +120° / -60° locking at 6° Intervals

**Mount:** 1/2" NPT spigot with solid brass lock-nut

**Finish:** Super TGIC Thermoset polyester powder coat paint 60µm nominal, applied over a chromate conversion coating. 2500 hour salt spray test endurance rating.

**Lens:** Clear flat tempered glass with silicone gasket.

**Fastenings:** Stainless Steel, recessed captive socket head screws

**Led Power:** 1W

**Life:** 50,000 Hours (30% lumen degradation)

**Operating Temperature:** -20°C to +40°C

**Cable:** 20m x 6 core 0.22mm<sup>2</sup> cable routed through swivel and sealed to housing.

**Weight:** 3.9kg

**REMOTE DRIVER**

**Supply Voltage:** 195 - 265 Vac 50-60 Hz

**Power consumption:** 6 - 54W

**Power Factor:** (Pf) 0.95

**Dimming Control:** DMX512

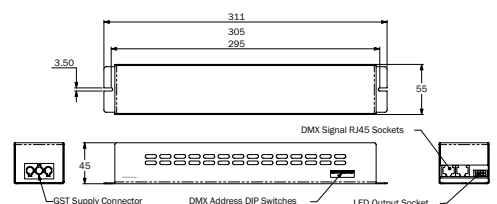
**Dimming Method:** Constant Current PWM

**Housing:** IP20 Zinc Plated steel.

**Mains cable:** 3 way GST connector with 0.9m 3 core 1.5mm<sup>2</sup> cable.

DMX connection via RJ45 socket using CAT5 UTP cables.

Cabinets for housing multiple drivers for interior and exterior use available on request.



Light Projects is a division of the Light Projects Group of companies, London. **Product Improvements** In pursuance of the Light Projects Group policy of continuing product improvement, the products and product specifications included in this publication are liable to be modified without notice. **Trademarks** Unless otherwise indicated, the trademarks and tradenames in this publication are registered, or unregistered, industrial property rights of Light Projects Limited. **Patents** The fitting in this publication may be covered by Patents, Patent Applications and/or Design Registrations. Designed to conform to BS EN 60598. This specification sheet supersedes all previous. Please notify Light Projects Limited of any inaccuracies immediately. E&OE.