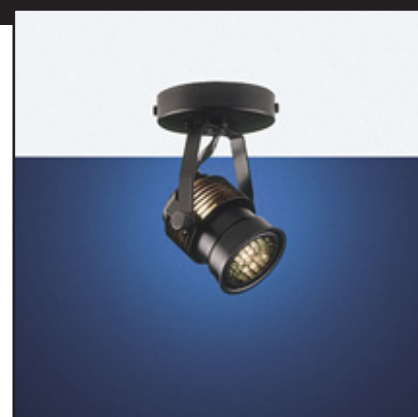
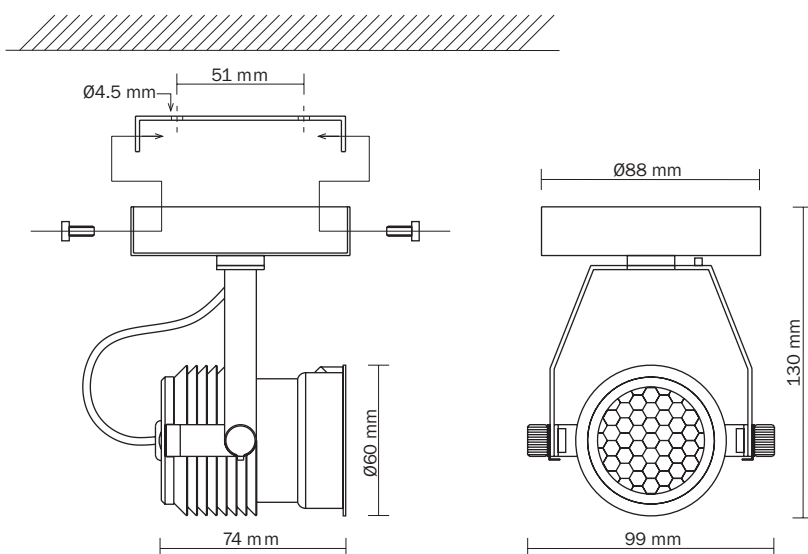


Specification Sheet 9103-1*

Issue Date: November 2009



Product Name:

Explorer 1

Description:

M16 Remote Low Voltage Spotlight on Surface Plate

Part Number:

9103-1*

* = Finish Code

TECHNICAL DETAILS

Lamp: QRCEB51 / HRGI-GU5.3-51

Lamp Holder: Bi-Pin GX5.3

Supply Voltage: 12V

Lamp Voltage: 12V

Max Lamp Wattage: 50W

Weight: 0.35kg

Glass Size: Ø53-54mm

Housing:

Steel and aluminium with a polyester powder coated finish, and PTFE Louvre assembly.

Transformer:

Requires a remote SELV transformer to EN60742 or BS3535

For more information please refer to transformer specification sheet TR001

NB Light fittings become hot during use – please exercise appropriate caution.



Sample Lamp Data for BLV 12V 50W MR16 Tungsten Halogen Ø51mm Dichroic Reflector

Beam Detail	LP Code	Peak Illumination / Lux				AV Lamp Life / hours	Colour Temperature / K
		1.0m	2.0m	3.0m	4.0m		
12° Spot	105-018	11,000	2,750	1,222	688	4,000	3,000
24° Flood	105-019	2,800	700	311	175	4,000	3,000
36° Wide Flood	105-020	1,580	395	176	99	4,000	3,000
60° Very Wide Flood	105-021	850	213	94	53	4,000	3,000
24° Flood	105-062	2,200	550	244	138	10,000	3,100
36° Wide Flood	105-063	1,500	375	167	94	10,000	3,100

Please note that alternative beam angles and lamp wattage may be available. Please refer to lamp specification sheet LS002 for more details.

FINISHES AVAILABLE

White (RAL 9010)
Part Number 9103-11

Black (RAL 9011)
Part Number 9103-12

Specified BS/RAL
Part Number 9103-13 + BS/RAL No

FACTORY FITTED OPTIONS

n/a

ACCESSORIES / SPARES

Accessory Holder	248-0101-*
Colour Glass ◊	248-0110-***
(See sheet CG001)	
Spread Lens Ribbed ◊	248-0111
UV Filter ◊	248-0113
IR Filter ◊	248-0114
Colour Dichroic Glass ◊	248-0115-***
(See sheet CDG001)	
Light Frost ◊	248-0116
Medium Frost ◊	248-0117
Heavy Frost ◊	248-0118
5mm Louvre ◊	248-0121-2
Replacement Louvre Assembly	248-0126-*
Replacement Lampholder	248-0189
C Spring	248-0106

◊ Indicates Accessory Holder is required

SPECIFICATION EXAMPLE

Explorer 1, Black Finish with Light Frost and 12V 50W 24° Lamp:

Fitting Code (with finish) + Accessory Codes + Lamp Code

9103-12 + 248-0101-2 + 248-0116 + 105-019

Light Projects is a division of the Light Projects Group of companies, London. **Product Improvements** In pursuance of the Light Projects Group policy of continuing product improvement, the products and product specifications included in this publication are liable to be modified without notice. **Trademarks** Unless otherwise indicated, the trademarks and tradenames in this publication are registered, or unregistered, industrial property rights of Light Projects Limited. **Patents** The fitting in this publication may be covered by Patents, Patent Applications and/or Design Registrations. Designed to conform to BS EN 60598. This specification sheet supersedes all previous. Please notify Light Projects Limited of any inaccuracies immediately. E&OE.

Light Projects 23 Jacob St London SE1 2BG Tel +44 (0)20 7231 8282 Fax +44 (0)20 7237 4342
Website www.lightprojects.co.uk Email info@lightprojects.co.uk