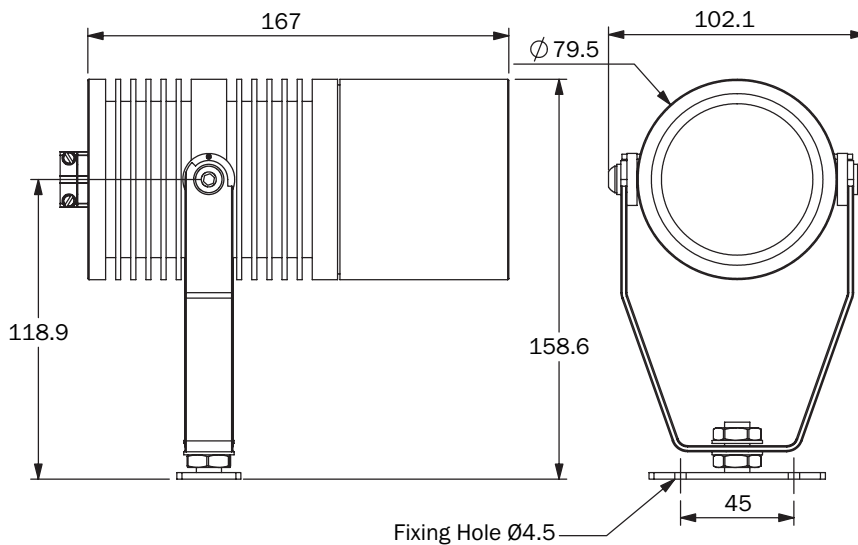


Specification Sheet 2063-0*

Issue Date: May 2008

**Product Name:**

Major A

Description:

Exterior PAR20 Surface Mounted Spotlight

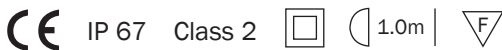
Part Number:

2063-0*

* = Finish Code

TECHNICAL DETAILS**Lamp:** HEGPAR-50-230-E27-63**Lamp Holder:** E27**Supply Voltage:** 230/240V**Lamp Voltage:** 230/240V**Max Lamp Wattage:** 50W**Weight:** 1.3kg (excluding cable)**Glass Size:** Ø67mm**Supplied Cable:** 2.5m 2-Core 1.5mm² H07RN-F**Housing:**

Anodised aluminium housing with a PTFE painted finish

NB Light fittings become hot during use – please exercise appropriate caution.**Sample Lamp Data for 230/240V 50W PAR20 Lamps**

Beam Detail	LP Code	Peak Illumination / Lux				AV Lamp Life / hours	Colour Temperature / °K
		1.0m	2.0m	3.0m	4.0m		
10° Spot	104-011	3,000	750	333	188	2,000	2,900
25° Flood	104-012	1,000	250	111	63	2,000	2,900

Please note that alternative beam angles and lamp wattage may be available.
Please refer to lamp specification sheet LS003 for more details.

FINISHES AVAILABLE**White (RAL 9016)**

Part Number 2063-01

Black (RAL 9011)

Part Number 2063-02

Specified BS/RAL

Part Number 2063-03 + BS/RAL No

FACTORY FITTED OPTIONS

Extra cable per m - state length

247-0082/**m

ACCESSORIES / SPARES

C Spring	247-0306
Colour Glass ◊	247-0310-***
(See sheet CG001)	
Spread Lens Ribbed ◊	247-0311
Colour Dichroic Glass	247-0315-***
(See sheet CDG001)	
Light Frost ◊	247-0316
Medium Frost ◊	247-0317
Heavy Frost ◊	247-0318
Half Shield Cowl	247-0327-*
Full Tube Cowl	247-0328-*
Tree Strap Remote	247-0240-2
Ground Spike Remote 200mm	247-0241-*
Ground Spike Remote 500mm	247-0242-*
IP66 Connection Box	247-0080
Replacement Lampholder	247-0389

◊ Indicates C Spring is required

SPECIFICATION EXAMPLE

Major A, Black Finish with extra 2m cable, Light Frost Lens and 230/240V 50W 25° Lamp:

Fitting Code (with finish) + Option Code + Accessory Codes + Lamp Code

2063-02 + 247-0082/2m + 247-0306 + 247-0316 + 104-012

Lightscape Projects is a division of the Light Projects Group of companies, London. **Product Improvements** In pursuance of the Light Projects Group policy of continuing product improvement, the products and product specifications included in this publication are liable to be modified without notice. **Trademarks** Unless otherwise indicated, the trademarks and tradenames in this publication are registered, or unregistered, industrial property rights of Light Projects Limited. **Patents** The fitting in this publication may be covered by Patents, Patent Applications and/or Design Registrations. Designed to conform to BS EN 60598. This specification sheet supersedes all previous. Please notify Light Projects Limited of any inaccuracies immediately. E&OE.

Light Projects 23 Jacob St London SE1 2BG Tel +44 (0)20 7231 8282 Fax +44 (0)20 7237 4342
Website www.lightprojects.co.uk Email info@lightprojects.co.uk