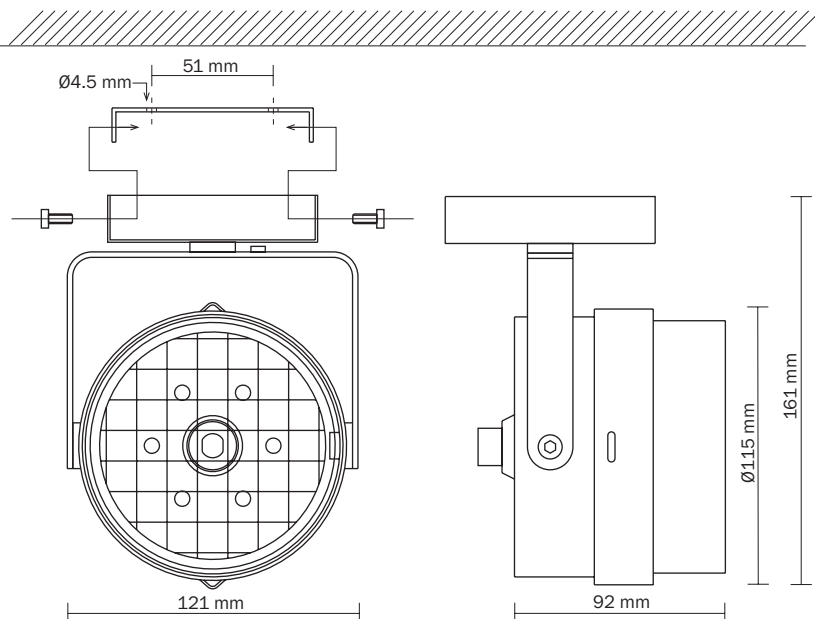


Specification Sheet 9109-1*

Issue Date: November 2009



Product Name:

Mentor 1

Description:

AR111 / PAR36 Remote Low Voltage
Spotlight on Surface Plate

Part Number:

9109-1*

* = Finish Code

TECHNICAL DETAILS

Lamp: HMG-100-12-G53-111 or PAR36

Lamp Holder: Screw Terminal G53

Supply Voltage: 12V

Lamp Voltage: 12V

Max Lamp Wattage: 100W

Weight: 0.4kg

Glass Size: Ø100mm

Housing:

Steel and aluminium with a polyester powder coated finish.

Transformer:

Requires a remote SELV transformer to EN60742 or BS3535

For more information please refer to transformer specification sheet TR001

NB Light fittings become hot during use – please exercise appropriate caution.



Sample Lamp Data for 12V 50W GE PAR36 (Incandescent) and Osram AR111 Reflector Lamps

Beam Detail	LP Code	Peak Illumination / Lux				AV Lamp Life / hours	Colour Temperature / K
		1.0m	2.0m	3.0m	4.0m		
50W PAR36 VNSP	105-128	25,000	6,250	2,778	1,563	2,000	3,000
50W PAR36 NSP	105-130	9,200	2,300	1,022	575	2,000	3,000
50W PAR36 WFL	105-133	1,300	325	144	81	2,000	3,000
50W AR111 4°	105-115	50,000	12,500	5,556	3,125	2,000	3,000
50W AR111 8°	105-116	20,000	5,000	2,222	1,250	2,000	3,000
50W AR111 24°	105-117	3,600	900	400	225	2,000	3,000

Please note that alternative beam angles and lamp wattage may be available. Please refer to lamp specification sheet LS004 for more details.

FINISHES AVAILABLE

White (RAL 9010)
Part Number 9109-11

Black (RAL 9011)
Part Number 9109-12

Specified BS/RAL
Part Number 9109-13 + BS/RAL No

FACTORY FITTED OPTIONS

n/a

ACCESSORIES / SPARES

C Spring	248-0306
Replacement Standard Snoot	248-0307.*
Colour Glass ◊	248-0310-***
(See sheet CG001)	
Spread Lens Ribbed ◊	248-0311
UV Filter ◊	248-0313
IR Filter ◊	248-0314
Colour Dichroic Glass	248-0315-***
(See sheet CDG001)	
Light Frost ◊	248-0316
Medium Frost ◊	248-0317
Heavy Frost ◊	248-0318
Eggcrate Louvre	248-0323-2
Full Tube Cowl	248-0328-*
Cone Cowl	248-0331-*
Safety Glass ◊	248-0370

◊ Indicates C Spring is required

SPECIFICATION EXAMPLE

Mentor 1, Black Finish with Light Frost and 12V 50W 24° AR111 Lamp:

Fitting Code (with finish) + Option Code + Accessory Codes + Lamp Code

9109-12 + 248-0306 + 247-0316 + 105-117

Light Projects is a division of the Light Projects Group of companies, London. **Product Improvements** In pursuance of the Light Projects Group policy of continuing product improvement, the products and product specifications included in this publication are liable to be modified without notice. **Trademarks** Unless otherwise indicated, the trademarks and tradenames in this publication are registered, or unregistered, industrial property rights of Light Projects Limited. **Patents** The fitting in this publication may be covered by Patents, Patent Applications and/or Design Registrations. Designed to conform to BS EN 60598. This specification sheet supersedes all previous. Please notify Light Projects Limited of any inaccuracies immediately. E&OE.