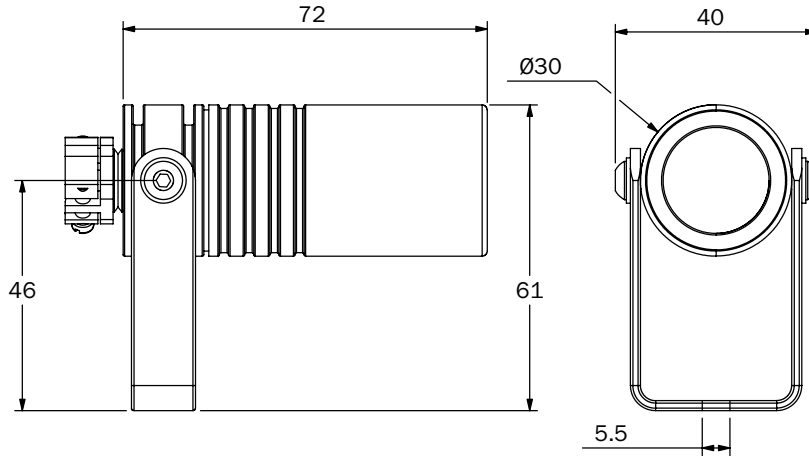


Specification Sheet 72001-0*

Issue Date: January 2006



Product Name:

Micro 1

Description:

Exterior MR 8 Remote Low Voltage Surface Mounted Spotlight

Part Number:

72001-0*

* = Finish Code

TECHNICAL DETAILS

Lamp: QRCB25 / HRGI-Gz4-25

Lamp Holder: Bi-Pin G4

Supply Voltage: 12V

Lamp Voltage: 12V

Max Lamp Wattage: 20W

Weight: 0.5kg (excluding cable)

Glass Size: Ø25mm

Supplied Cable: 2.5m 2-Core 1.5mm² Silicone

Housing:

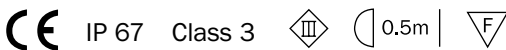
Brass housing with a PTFE painted finish

Transformer:

Requires a remote SELV transformer to EN60742 or BS3535

For more information please refer to transformer specification sheet TRE001

NB Light fittings become hot during use – please exercise appropriate caution.



Sample Lamp Data for EYE 12V MR8 Tungsten Halogen 25mm Dichroic Reflector

Beam Detail	LP Code	Peak Illumination / Lux				AV Lamp Life / hours	Colour Temperature / °K
		1.0m	2.0m	3.0m	4.0m		
20W 10° Narrow Spot	105-231	1,700	430	190	105	2,000	3050
20W 23° Wide	105-232	800	200	90	50	2,000	3050

Please note that alternative beam angles and lamp wattage may be available. Please refer to lamp specification sheet LS001 for more details.

FINISHES AVAILABLE

White (RAL 9016)
Part Number 72001-01

Black (RAL 9011)
Part Number 72001-02

Specified BS/RAL
Part Number 72001-03 + BS/RAL No

Metal Finish
Part Number 72001-05 + Req Finish

FACTORY FITTED OPTIONS

Extra cable per m - state length 247-0081/**m

NB
Max length of cable 20W - 12m

ACCESSORIES / SPARES

C Spring	247-1106
Colour Glass ◊	247-1110-***
(See sheet CG001)	
Spread Lens Ribbed ◊	247-1111
Colour Dichroic Glass ◊	247-1115-***
(See sheet CDG001)	
Light Frost ◊	247-1116
Medium Frost ◊	247-1117
Heavy Frost ◊	247-1118
5mm Louvre	247-1121-*
Full Tube Cowl	247-1128-*
Exterior Surface Mount	247-1138-*
Tree Strap Remote	247-1140-2
IP66 Connection Box	247-0080
Replacement Front Glass ◊	247-1174
Replacement Lamp Holder ◊	247-1189

◊ Indicates C Spring is required

SPECIFICATION EXAMPLE

Micro 1, Black Finish with extra 2m cable, Light Frost Lens and 12V 20W 10° Lamp:

Fitting Code (with finish) + Option Code + Accessory Codes + Lamp Code

72001-02 + 247-0081/2m + 247-1106 + 247-1116 + 105-231

Lightscape Projects is a division of the Light Projects Group of companies, London. **Product Improvements** In pursuance of the Light Projects Group policy of continuing product improvement, the products and product specifications included in this publication are liable to be modified without notice. **Trademarks** Unless otherwise indicated, the trademarks and tradenames in this publication are registered, or unregistered, industrial property rights of Light Projects Limited. **Patents** The fitting in this publication may be covered by Patents, Patent Applications and/or Design Registrations. Designed to conform to BS EN 60598. This specification sheet supersedes all previous. Please notify Light Projects Limited of any inaccuracies immediately. E&OE.