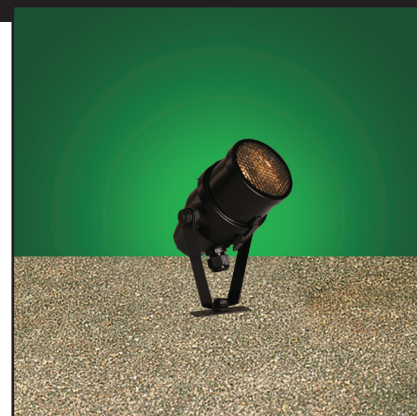
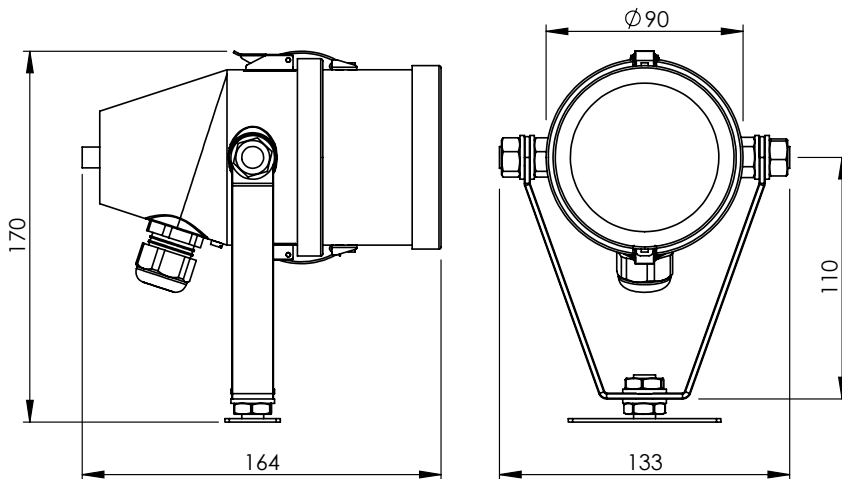


Specification Sheet 34412-0*

Issue Date: May 2008



Product Name:

Mini Papar 2

Description:

Exterior PAR20 CDM-R Surface Mounted Spotlight

Part Number:

34412-0*

* = Finish Code

TECHNICAL DETAILS

Lamp: HIPAR20 (35W)

Lamp Holder: E27 750V Discharge Type

Supply Voltage: 230/240V

Lamp Voltage: 230/240V

Max Lamp Wattage: 35W

Weight: 0.5Kg + 0.5Kg cable

Glass Size: Ø75mm

Supplied Cable: 2.5m 3-Core 1.5mm² H07RN-F

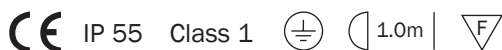
Housing: Aluminium Polyester Painted

Control Gear: Requires Remote Gear:

35W CDM Electronic Ballast, IP67, 13460-1*

35W CDM Electronic Ballast, IP20, 132-006

NB Light fittings become hot during use – please exercise appropriate caution.



Sample Lamp Data for Phillips 35W PAR20 CDM-R Lamps

Beam Detail	LP Code	Peak Illumination / Lux				AV Lamp Life / hours	Colour Temperature / K
		1.0m	2.0m	3.0m	4.0m		
PAR20 10° Spot	111-089	26,000	6,500	2,889	1,625	9,000	3,000
PAR20 30° Flood	111-090	5,500	1,375	611	344	9,000	3,000

Please note that alternative beam angles and lamp wattage may be available. Please refer to lamp specification sheet LS005 for more details.

FINISHES AVAILABLE

White (RAL 9016)

Part Number 34412-01

Black (RAL 9011)

Part Number 34412-02

Specified BS/RAL

Part Number 34412-03 + BS/RAL No

FACTORY FITTED OPTIONS

Extra cable per m - state length

247-0084/**m

ACCESSORIES / SPARES

Accessory C Spring	247-1006
75mm Coloured Glass	247-1010
75mm Rib Spread Glass	247-1011
75mm Reed Spread Lens	247-1012
75mm UV (B&L) Filter	247-1013
75mm UV Blocker	247-10131
75mm Light Frost Glass	247-1016
75mm Medium Frost Glass	247-1017
5mm Honeycomb Louvre	247-1021-2
IP66 Connection Box	247-0080
Ground Spike Remote 200mm	247-0141-2
Ground Spike Remote 500mm	247-0142-2
Tree Strap Brkt Large Remote	247-0240-2
Replacement Lamp Holder	247-0289
Replacement Front Snoot Assembly	247-1007-*

◊ Indicates C Spring is required

SPECIFICATION EXAMPLE

Mini Papar 1, Black Finish with extra 2m cable, Light Frost Lens and 35W 10° Lamp:

Fitting Code (with finish) + Option Code + Accessory Codes + Lamp Code

34412-02 + 247-0084/2m + 247-1016 + 111-089

Lightscape Projects is a division of the Light Projects Group of companies, London. **Product Improvements** In pursuance of the Light Projects Group policy of continuing product improvement, the products and product specifications included in this publication are liable to be modified without notice. **Trademarks** Unless otherwise indicated, the trademarks and tradenames in this publication are registered, or unregistered, industrial property rights of Light Projects Limited. **Patents** The fitting in this publication may be covered by Patents, Patent Applications and/or Design Registrations. Designed to conform to BS EN 60598. This specification sheet supersedes all previous. Please notify Light Projects Limited of any inaccuracies immediately. E&OE.

Light Projects 23 Jacob St London SE1 2BG Tel +44 (0)20 7231 8282 Fax +44 (0)20 7237 4342
Website www.lightprojects.co.uk Email info@lightprojects.co.uk