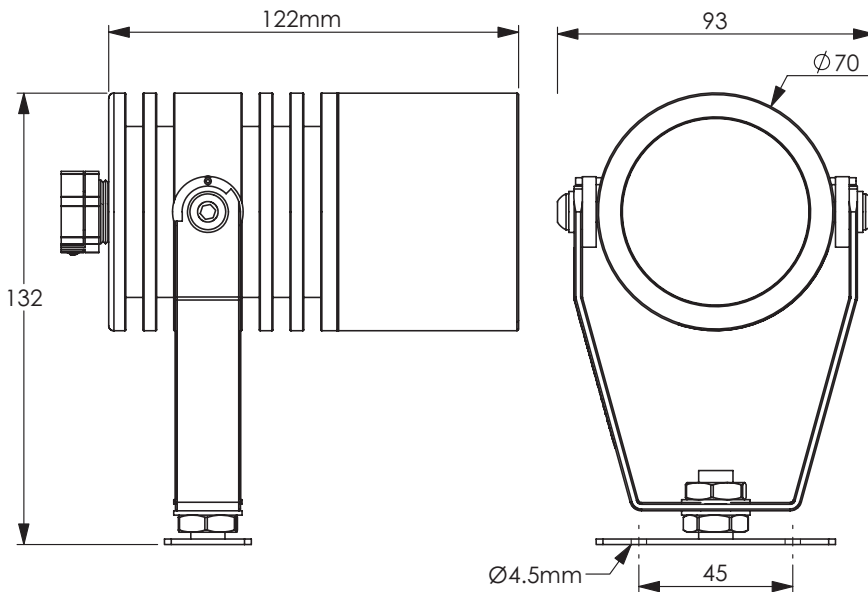


### Specification Sheet 41832-0\*

Issue Date: Jan 2011



**Product Name:**

Minor 5 Remote

**Description:**

Exterior MR16-CMH 20W Remote Spotlight

**Part Number:**

41832-0\*

\* = Finish Code

**TECHNICAL DETAILS**

**Lamp:** HI-CE PAR16 (20W)

**Lamp Holder:** GX10

**Lamp Wattage:** 20W

**Weight:** 1.1kg

**Glass Size:** Ø53-54mm

**Supplied Cable:** 2.5m 2 Core 1mm<sup>2</sup> Silflex EWKF

**Housing:**

Anodised aluminium housing with a PTFE painted finish

**Gear Type:** Requires remote control gear for 20W Metal Halide lamp

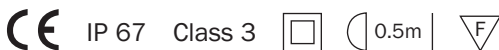
**Control Gear:**

Requires a remote ballast for discharge lamps. For more information please refer to our Exterior Remote 20W Ballast specification sheet.

**EXTERIOR REMOTE ELECTRONIC GEAR**

Remote 20W CMH Ballast IP67 13462-1\*

NB Light fittings become hot during use – please exercise appropriate caution.



**Sample Lamp Data for GE CMH 20W MR16 HID 51mm Dichroic Reflector**

Beam Detail	LP Code	Peak Illumination / Lux				AV Lamp Life / hours	Colour Temperature / K
		1.0m	2.0m	3.0m	4.0m		
12° Spot	111-246	11936	2984	1326	746	9,000	3,000
25° Flood	111-247	3266	816	363	204	9,000	3,000
40° Wide Flood	111-248	1685	421	187	105	9,000	3,000

**FINISHES AVAILABLE**

**White (RAL 9016)**

Part Number 41832-01

**Black (RAL 9011)**

Part Number 41832-02

**Specified BS/RAL**

Part Number 41832-03 + BS/RAL No

**FACTORY FITTED OPTIONS**

Extra cable per m - state length 247-0083/\*\*m

**ACCESSORIES / SPARES**

Replacement Long Snoot	247-1401-*
C Spring	247-0206
Colour Glass ◇	247-1410-***
(See sheet CG001)	
Spread Lens Ribbed ◇	247-1411
UV Filter ◇	247-1413
UV Blocker ◇	247-14131
Colour Dichroic Glass ◇	247-1415-***
(See sheet CDG001)	
Light Frost ◇	247-1416
Medium Frost ◇	247-1417
Heavy Frost ◇	247-1418
5mm Louvre ◇	247-1421-2
IP66 Connection Box	247-0080
Tree Strap Integral	247-0143-2
Ground Spike Remote 200mm	247-0141-*
Ground Spike Remote 500mm	247-0142-*

◇ Indicates Long Snoot and C Spring is required

**SPECIFICATION EXAMPLE**

Minor 5 Remote, Black Finish with extra 2m cable, Light Frost Lens and 20W 25° Lamp:

Fitting Code (with finish) + Option Code + Accessory Codes + Lamp Code

**41832-02 + 247-0083/2m + 247-0206 + 247-0216 +247-0401 + 111-247**

Lightscape Projects is a division of the Light Projects Group of companies, London. **Product Improvements** In pursuance of the Light Projects Group policy of continuing product improvement, the products and product specifications included in this publication are liable to be modified without notice. **Trademarks** Unless otherwise indicated, the trademarks and tradenames in this publication are registered, or unregistered, industrial property rights of Light Projects Limited. **Patents** The fitting in this publication may be covered by Patents, Patent Applications and/or Design Registrations. Designed to conform to BS EN 60598. This specification sheet supersedes all previous. Please notify Light Projects Limited of any inaccuracies immediately. E&OE.

**Light Projects** 23 Jacob St London SE1 2BG Tel +44 (0)20 7231 8282 Fax +44 (0)20 7237 4342  
Website [www.lightprojects.co.uk](http://www.lightprojects.co.uk) Email [info@lightprojects.co.uk](mailto:info@lightprojects.co.uk)