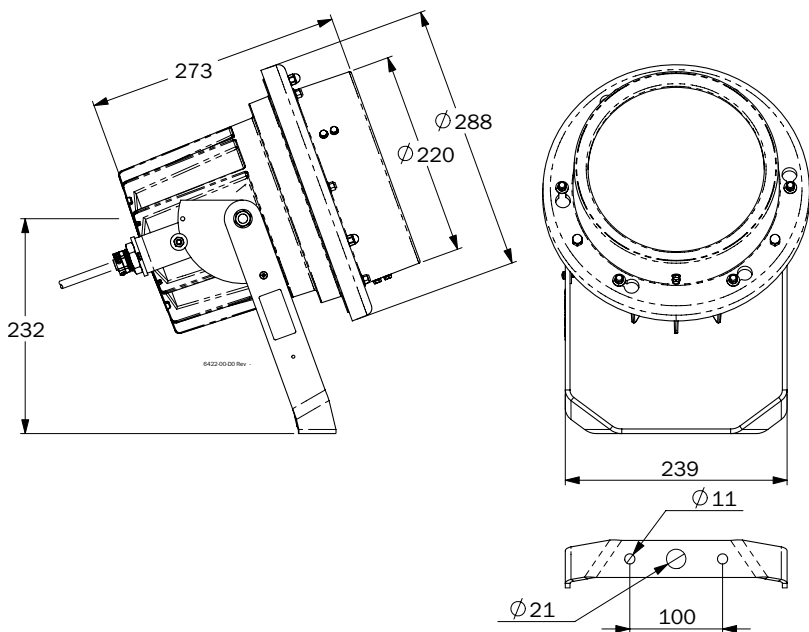


Specification Sheet 6422-0*

Issue Date: January 2006



Product Name:

Mission 1

Description:

Exterior PAR64 230/240V Surface Mounted Spotlight

Part Number:

6422-0*

* = Finish Code

TECHNICAL DETAILS

Lamp: HEGPAR-1000-230-GX16d-204

Lamp Holder: GX16d

Supply Voltage: 230/240V

Lamp Voltage: 230/240V

Max Lamp Wattage: 1000W

Weight: 6.5kg (excluding cable)

Internal Glass Size: Ø205mm

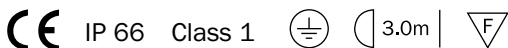
External (Accessory) Glass Size: Ø222.5mm

Supplied Cable: 3m 3-Core 1.5mm² reinforced Silicone

Housing:

Chromate treated aluminium housing with a PTFE painted finish

NB Light fittings become hot during use – please exercise appropriate caution.



Sample Lamp Data for GE 230/240V 500W and 1000W PAR64 Lamps

Beam Detail	LP Code	Peak Illumination / Lux				AV Lamp Life / hours	Colour Temperature / °K
		1.0m	2.0m	3.0m	4.0m		
500W VNSP 10°x7°	104-021	240,000	60,000		15,000	300	2,800
500W NSP 11°x9°	104-022	140,000	35,000		8,750	300	2,800
500W MFL 21°x10°	104-023	65,000	16,250		4,060	300	2,800
1000W VNSP 12°x6°	104-031	400,000	100,000		25,000	300	2,800
1000W NSP 13°x10°	104-032	260,000	65,000		16,250	300	2,800
1000W MFL 25°x14°	104-033	110,000	27,500		6,875	300	2,800

Please note that alternative beam angles and lamp wattage may be available. Please refer to lamp specification sheet LS006 for more details.

FINISHES AVAILABLE

White (RAL 9016)
Part Number 6422-01

Black (RAL 9011)
Part Number 6422-02

Specified BS/RAL
Part Number 6422-03 + BS/RAL No

FACTORY FITTED OPTIONS

Extension cable per m - state length 247-0086/**m

ACCESSORIES / SPARES

Accessory Holder	247-0701-*
C Spring	247-0706
Eggcrate Louvre ◇	247-0723-2
Ground Spike Remote 200mm	247-0741-*
Ground Spike Remote 500mm	247-0742-*
Safety Wire	247-0750
Mission Connection Box	247-0780
IP66 Connection Box	247-0080

For glass lenses and filters please contact the factory

SPECIFICATION EXAMPLE

Mission 1, Black Finish with extra 2m cable, Eggcrate Louvre and 230/240V 1000W NSP Lamp:

Fitting Code (with finish) + Option Code + Accessory Codes + Lamp Code

6422-02 + 247-0086/2m + 247-0706 + 247-0723-2 + 247-0701-2 + 104-032

◇ Indicates Accessory Holder and C Spring is required

Lightscape Projects is a division of the Light Projects Group of companies, London. **Product Improvements** In pursuance of the Light Projects Group policy of continuing product improvement, the products and product specifications included in this publication are liable to be modified without notice. **Trademarks** Unless otherwise indicated, the trademarks and tradenames in this publication are registered, or unregistered, industrial property rights of Light Projects Limited. **Patents** The fitting in this publication may be covered by Patents, Patent Applications and/or Design Registrations. Designed to conform to BS EN 60598. This specification sheet supersedes all previous. Please notify Light Projects Limited of any inaccuracies immediately. E&OE.

Light Projects 23 Jacob St London SE1 2BG Tel +44 (0)20 7231 8282 Fax +44 (0)20 7237 4342
Website www.lightprojects.co.uk Email info@lightprojects.co.uk