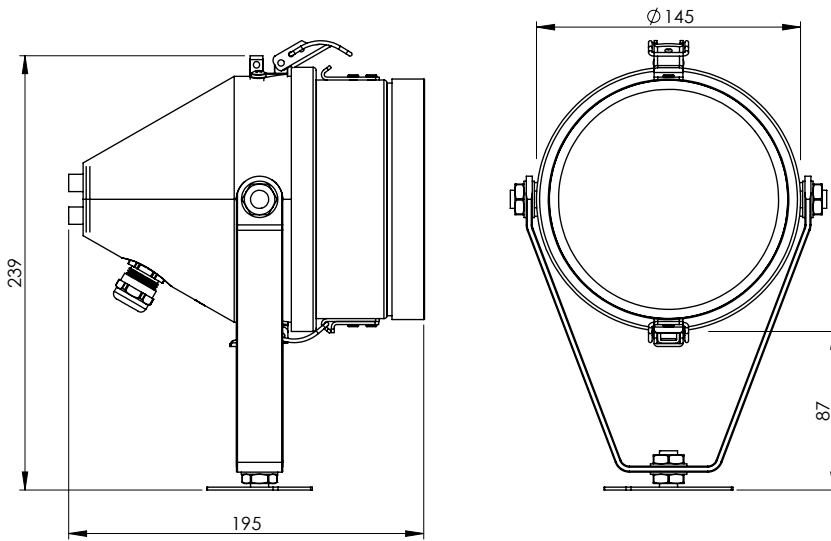


Specification Sheet 38642-0*

Issue Date: June 2008



Product Name:

Papar 3

Description:

Exterior PAR36 E27 ColorArc Surface Mounted Spotlight

Part Number:

38642-0*

* = Finish Code

TECHNICAL DETAILS

Lamp: HIPAR36 E27 (150W)

Iwasaki: M150P36

Lamp Holder: E27 (750V Discharge Type)

Supply Voltage: 230/240V

Max Lamp Wattage: 150W

Weight: 1.5kg (excluding cable)

Glass Size: Ø123mm

Supplied Cable: 1.5m 3-Core 1.5mm² H07RN-F

Housing:

Chromate treated aluminium housing with a polyester painted finish

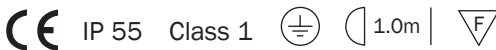
Control Gear:

Requires remote control gear

134-006 = 150W Metal Halide magnetic control gear, 240V, in IP65 thermoplastic housing with wiring compartment

132-004 = 150W Remote electronic ballast, IP20 with case and cable clamps, 220-240V (suitable for mounting up to 25m remote from lamp)

NB Light fittings become hot during use – please exercise appropriate caution.



Sample Lamp Data for EYE Color Arc PAR36 lamps

Beam Detail	LP Code	Peak Illumination / Lux				AV Lamp Life / hours	Colour Temperature / K
		1.0m	2.0m	3.0m	4.0m		
150W 62 x 67°	111-128	4,320	1,080	480	270	6,000	3,500
150W 62 x 67°	111-129	4,800	1,200	533	300	6,000	4,500
150W 23 x 29°	111-130	13,000	3,250	1,444	813	6,000	6,500

Please note that alternative beam angles and lamp wattage may be available. Please refer to lamp specification sheet LS005 for more details.

FINISHES AVAILABLE

White (RAL 9016)

Part Number 38642-01

Black (RAL 9011)

Part Number 38642-02

Specified BS/RAL

Part Number 38642-03 + BS/RAL No

FACTORY FITTED OPTIONS

Extra cable per m - state length

247-0084/**m

ACCESSORIES / SPARES

C Spring	247-0606
Replacement Standard Snoot	247-0607-*
Colour Glass ◊	247-0610-***
(See sheet CG001)	
Spread Lens Ribbed ◊	247-0611
Colour Dichroic Glass ◊	247-0615-***
(See sheet CDG001)	
Light Frost ◊	247-0616
Medium Frost ◊	247-0617
Heavy Frost ◊	247-0618
13.5mm Louvre	247-0622-2
Half Shield Cowl	247-0627-*
Shallow Half Shield Cowl	247-0630-*
Tree Strap Remote	247-0240-2
Ground Spike Remote 200mm	247-0141-*
Ground Spike Remote 500mm	247-0142-*
IP66 Connection Box	247-0080
Replacement Lampholder	247-0389

◊ Indicates C Spring is required

SPECIFICATION EXAMPLE

Papar 3, Black Finish with extra 2m cable, Light Frost Lens and 150W 62 x 67° Lamp:

Fitting Code (with finish) + Option Code + Accessory Codes + Lamp Code

38642-02 + 247-0084/2m + 247-0606 + 247-0616 + 111-128

Lightscape Projects is a division of the Light Projects Group of companies, London. **Product Improvements** In pursuance of the Light Projects Group policy of continuing product improvement, the products and product specifications included in this publication are liable to be modified without notice. **Trademarks** Unless otherwise indicated, the trademarks and tradenames in this publication are registered, or unregistered, industrial property rights of Light Projects Limited. **Patents** The fitting in this publication may be covered by Patents, Patent Applications and/or Design Registrations. Designed to conform to BS EN 60598. This specification sheet supersedes all previous. Please notify Light Projects Limited of any inaccuracies immediately. E&OE.

Light Projects 23 Jacob St London SE1 2BG Tel +44 (0)20 7231 8282 Fax +44 (0)20 7237 4342
Website www.lightprojects.co.uk Email info@lightprojects.co.uk