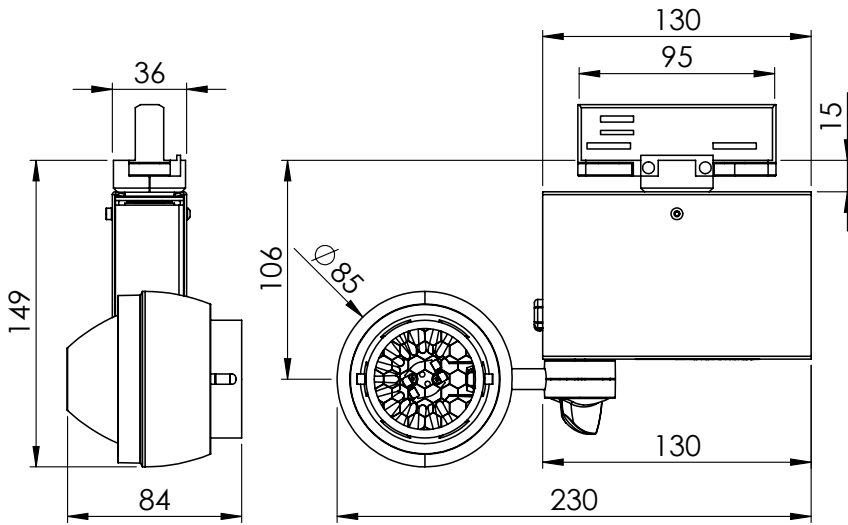


**Specification Sheet 41212-3\***

Issue Date: July 2008



**Product Name:**

Ray Bob 3

**Description:**

MR16 Electronic Self Dimmable Integral Low Voltage Spotlight on 3 Circuit Track Adaptor

**Part Number:**

41212-3\*

\* = Adaptor and Finish Code

**TECHNICAL DETAILS**

**Lamp:** QRCB51 / HRGI-GU5.3-51

**Lamp Holder:** Bi-Pin GX5.3

**Supply Voltage:** 230/240V

**Lamp Voltage:** 12V

**Max Lamp Wattage:** 50W

**Weight:** 0.57kg

**'In Ring' Glass Size:** Ø54mm

**Lamp Housing:**

Cast aluminium with a polyester powder coated finish

**Transformer:**

Integral electronic transformer with inbuilt dimmer, dimmable to nominal 25% intensity  
Remote dimming is possible with most domestic or hard fired dimmers. Please ask to confirm specific compatibility

**Track Adaptor:**

Supplied with European 3-Circuit track adaptor.  
For more information please refer to track specification sheet TK002

NB Light fittings become hot during use – please exercise appropriate caution.



**Sample Lamp Data for BLV 12V 50W MR16 Tungsten Halogen Ø51mm Dichroic Reflector**

Beam Detail	LP Code	Peak Illumination / Lux				AV Lamp Life / hours	Colour Temperature / °K
		1.0m	2.0m	3.0m	4.0m		
12° Spot	105-018	11,000	2,750	1,222	688	4,000	3,000
24° Flood	105-019	2,800	700	311	175	4,000	3,000
36° Wide Flood	105-020	1,580	395	176	99	4,000	3,000
60° Very Wide Flood	105-021	850	213	94	53	4,000	3,000
24° Flood	105-062	2,700	675	300	169	10,000	3,100
36° Wide Flood	105-063	1,500	375	167	94	10,000	3,100

Please note that alternative beam angles and lamp wattage may be available.  
Please refer to lamp specification sheet LS002 for more details.

**FINISHES AVAILABLE**

**White (RAL 9010)**  
Part Number 41212-31

**Black (RAL 9011)**  
Part Number 41212-32

**Specified BS/RAL**  
Part Number 41212-33 + BS/RAL No

**FACTORY FITTED OPTIONS**

n/a

**Track Adaptor**

European 3-Circuit track adaptor suitable for the following three circuit tracks: Eutrac, Erco, Nokia, Staff, Concord Lytespan 3, IGuzzini, Hoffmeister.

**ACCESSORIES / SPARES**

Accessory Holder	248-1501-*
5mm Honeycomb Louvre ◊	248-1521-2
Scrim Filter 20% Obscured ◊	248-1552
Scrim Filter 30% Obscured ◊	248-1553
Scrim Filter 50% Obscured ◊	248-1555
Colour Glass ◊	248-1510-***
(See sheet CG001)	
Spread Lens Ribbed ◊	248-1511
UV Filter ◊	248-1513
IR Filter ◊	248-1514
Light Frost ◊	248-1516
Medium Frost ◊	248-1517
Heavy Frost ◊	248-1518
C Spring	248-1506

◊ Indicates C Spring is required with 'In Ring'

**SPECIFICATION EXAMPLE**

Ray Bob 3, Black Finish with Light Frost and 12V 50W 24° MR16 Lamp:

Fitting Code (with mounting option and finish) + Accessory Codes + Lamp Code

**41212-32 + 248-1501-2 + 248-1516 + 248-1506 + 105-019**

Light Projects is a division of the Light Projects Group of companies, London. **Product Improvements** In pursuance of the Light Projects Group policy of continuing product improvement, the products and product specifications included in this publication are liable to be modified without notice. **Trademarks** Unless otherwise indicated, the trademarks and tradenames in this publication are registered, or unregistered, industrial property rights of Light Projects Limited. **Patents** The fitting in this publication may be covered by Patents, Patent Applications and/or Design Registrations. Designed to conform to BS EN 60598. This specification sheet supersedes all previous. Please notify Light Projects Limited of any inaccuracies immediately. E&OE.

**Light Projects** 23 Jacob St London SE1 2BG Tel +44 (0)20 7231 8282 Fax +44 (0)20 7237 4342  
Website www.lightprojects.co.uk Email info@lightprojects.co.uk