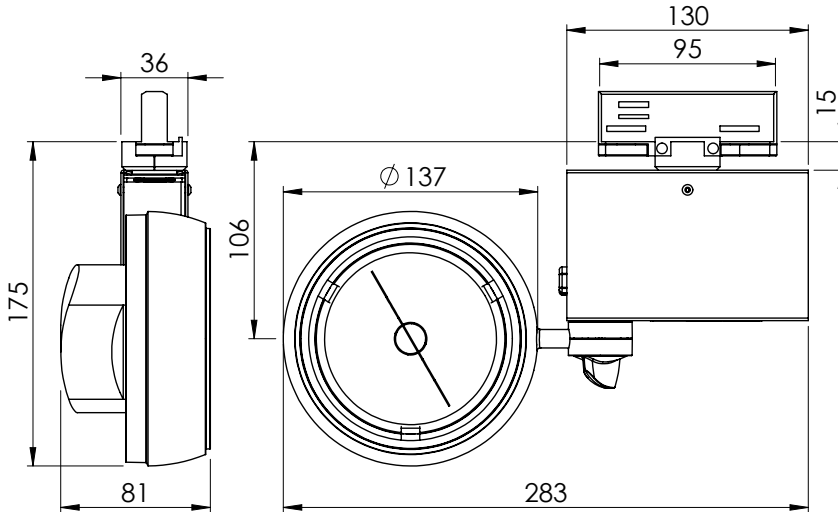


Specification Sheet 41210-3*

Issue Date: July 2008



Product Name:

Ray Bos 3

Description:

AR111 integral electronic spotlight with internal dimmer on 3 circuit Tack Adaptor

Part Number:

41210-3*

* = Track Adaptor and Finish Code

TECHNICAL DETAILS

Lamp: HMG-100-12-G53-111 or PAR36

Lamp Holder: Screw Terminal G53

Supply Voltage: 230/240V

Lamp Voltage: 12V

Lamp Wattage: 35 - 75W

Weight: 0.7kg

'In Ring' Glass Size: Ø100mm

Lamp Housing:

Cast aluminium with a polyester powder coated finish

Transformer:

Integral electronic transformer with inbuilt dimmer, dimmable to nominal 25% intensity. Remote dimming is possible with most domestic or hard fired dimmers. Please ask to confirm specific compatibility.

Track Adaptor:

Supplied with European 3-Circuit track adaptor. For more information please refer to track specification sheet TK002

NB Light fittings become hot during use – please exercise appropriate caution.



Sample Lamp Data for 12V 50W and 75W Osram AR111 Reflector Lamps

Beam Detail	LP Code	Peak Illumination / Lux				AV Lamp Life / hours	Colour Temperature / °K
		1.0m	2.0m	3.0m	4.0m		
50W AR111 4°	105-115	40,000	10,000	4,444	2,500	2,000	3,000
50W AR111 8°	105-116	20,000	5,000	2,222	1,250	2,000	3,000
50W AR111 24°	105-117	4,000	1000	444	250	2,000	3,000
75W AR111 8°	105-118	48,000	12,000	5,333	3,000	2,000	3,000
75W AR111 24°	105-119	8,500	2,125	944	531	2,000	3,000
75W AR111 45°	105-120	2,000	500	222	125	2,000	3,000

Please note that alternative beam angles and lamp wattage may be available.

Please refer to lamp specification sheet LS004 for more details.

Please note lamp fixing not suitable for Osram IRC lamps with plastic reflectors.

FINISHES AVAILABLE

White (RAL 9010)

Part Number 41210-31

Black (RAL 9011)

Part Number 41210-32

Specified BS/RAL

Part Number 41210-33 + BS/RAL No

FACTORY FITTED OPTIONS

n/a

Track Adaptor

European 3-Circuit track adaptor suitable for the following three circuit tracks: Eutrac, Erco, Nokia, Staff, Concord Lytespan 3, IGuzzini, Hoffmeister.

ACCESSORIES / SPARES

	Cassette	'In Ring'
Accessory Holder	92901-0*	92801-0*
13mm Eggcrate		
Louvre	92910-02	92810-02
5mm Honeycomb		
Louvre ◊	92911-02	92811-02
Obscured ◊		
Scrim Filter 20%	92932-02	92832-02
Scrim Filter 30%		
Obscured ◊	92933-02	92833-02
Scrim Filter 50%		
Obscured ◊	92935-02	92835-02
Colour Glass ◊	92951-02***	92851-02***
(See sheet CG001)		
Spread Lens	92952-02	92852-02
Ribbed ◊		
UV Filter ◊	92954-02	92854-02
IR Filter ◊	92955-02	92855-02
Light Frost ◊	92957-02	92857-02
Medium Frost ◊	92958-02	92858-02
Heavy Frost ◊	92959-02	92859-02
C Spring	N/A	92890-00

◊ Indicates C Spring is required with 'In Ring'

SPECIFICATION EXAMPLE

Ray Bos 3, Black Finish with Light Frost in the Cassette and 12V 100W 24° AR111 Lamp:

Fitting Code (with mounting option and finish) + Accessory Codes + Lamp Code

41210-32 + 92901-02 + 92957-02 + 105-122

Light Projects is a division of the Light Projects Group of companies, London. **Product Improvements** In pursuance of the Light Projects Group policy of continuing product improvement, the products and product specifications included in this publication are liable to be modified without notice. **Trademarks** Unless otherwise indicated, the trademarks and tradenames in this publication are registered, or unregistered, industrial property rights of Light Projects Limited. **Patents** The fitting in this publication may be covered by Patents, Patent Applications and/or Design Registrations. Designed to conform to BS EN 60598. This specification sheet supersedes all previous. Please notify Light Projects Limited of any inaccuracies immediately. E&OE.