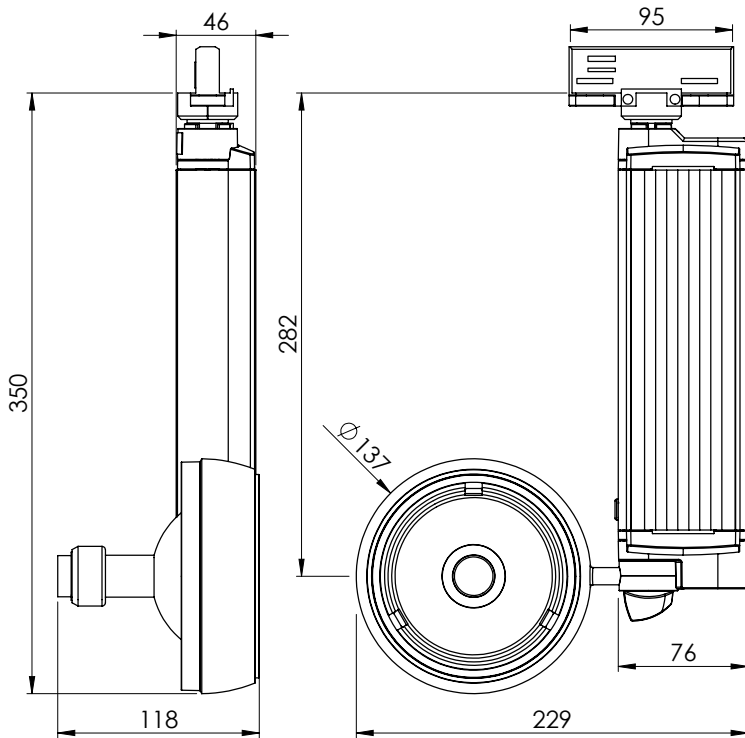


Specification Sheet 92561-3*

Issue Date: May 2008



NB Light fittings become hot during use – please exercise appropriate caution.



Sample Lamp Data for Philips CDM-R111 Ceramic Metal Halide Aluminium Reflector Lamps

Beam Detail	LP Code	Peak Illumination (Lux)				AV Lamp Life (hours)	Colour Temperature (K)
		1.0m	2.0m	3.0m	4.0m		
70W CDM-R111 10°	111-193	TBC	TBC	TBC	TBC	9,000	3,000
70W CDM-R111 24°	111-194	TBC	TBC	TBC	TBC	9,000	3,000
70W CDM-R111 40°	111-195	TBC	TBC	TBC	TBC	9,000	3,000



Product Name:

Ray Dar 3

Description:

70W CDM-R111 Electronic Integral Spotlight on Multi Adaptor

Part Number:

92561-3*

* = Adaptor and Finish Code

TECHNICAL DETAILS

Lamp: CDM-R111-70W

Lamp Holder: GX8.5

Supply Voltage: 230/240V

Lamp Voltage: n/a

Lamp Wattage: 70W only

Weight: 0.95kg

'In Ring' Glass Size: Ø100mm

Housing:

Cast aluminium with a polyester powder coated finish

Transformer:

Integral electronic Digital Ballast.

Not Dimmable

Track Adaptor:

Supplied with European 3-Circuit track adaptor.

For more information please refer to track specification sheet TK002

FINISHES AVAILABLE

White (RAL 9010)

Part Number 92561-31

Black (RAL 9011)

Part Number 92561-32

Specified BS/RAL

Part Number 92561-33 + BS/RAL No

PRODUCT CODES for Track Adapter Options

3-Circuit Eurotrack	92561-3*
Single Circuit Global	92561-4*
3-Circuit ERCO	92561-5*
3-Circuit Global	92561-9*

Track Adaptor

European 3-Circuit track adaptor suitable for the following three circuit tracks: Eutrac, Erco, Nokia, Staff, Concord Lytespan 3, IGuzzini, Hoffmeister. European Single Circuit track adaptor suitable for Concord Lytespan1.

ACCESSORIES / SPARES

	Cassette	'In Ring'
Accessory Holder	92901-0*	92801-0*
13mm Eggcrate		
Louvre	92910-02	92810-02
5mm Honeycomb		
Louvre ◊	92911-02	92811-02
Scrim Filter 20%		
Obscured ◊	92932-02	92832-02
Scrim Filter 30%		
Obscured ◊	92933-02	92833-02
Scrim Filter 50%		
Obscured ◊	92935-02	92835-02
Colour Glass ◊	92951-02***	92851-02***
(See sheet CG001)		
Spread Lens	92952-02	92852-02
Ribbed ◊		
UV Filter ◊	92954-02	92854-02
IR Filter ◊	92955-02	92855-02
Light Frost ◊	92957-02	92857-02
Medium Frost ◊	92958-02	92858-02
Heavy Frost ◊	92959-02	92859-02
C Spring	N/A	92890-00

◊ Indicates C Spring is required with 'In Ring'

SPECIFICATION EXAMPLE

Ray Dar 3, Black Finish with Light Frost in the Cassette and 70W 24° CDM-R111 Lamp:

Fitting Code (with mounting option and finish) + Accessory Codes + Lamp Code

92561-32 + 92901-02 + 92957-02 + 111-194

Light Projects is a division of the Light Projects Group of companies, London. **Product Improvements** In pursuance of the Light Projects Group policy of continuing product improvement, the products and product specifications included in this publication are liable to be modified without notice. **Trademarks** Unless otherwise indicated, the trademarks and tradenames in this publication are registered, or unregistered, industrial property rights of Light Projects Limited. **Patents** The fitting in this publication may be covered by Patents, Patent Applications and/or Design Registrations. Designed to conform to BS EN 60598. This specification sheet supersedes all previous. Please notify Light Projects Limited of any inaccuracies immediately. E&OE.

Light Projects 23 Jacob St London SE1 2BG Tel +44 (0)20 7231 8282 Fax +44 (0)20 7237 4342
Website www.lightprojects.co.uk Email info@lightprojects.co.uk