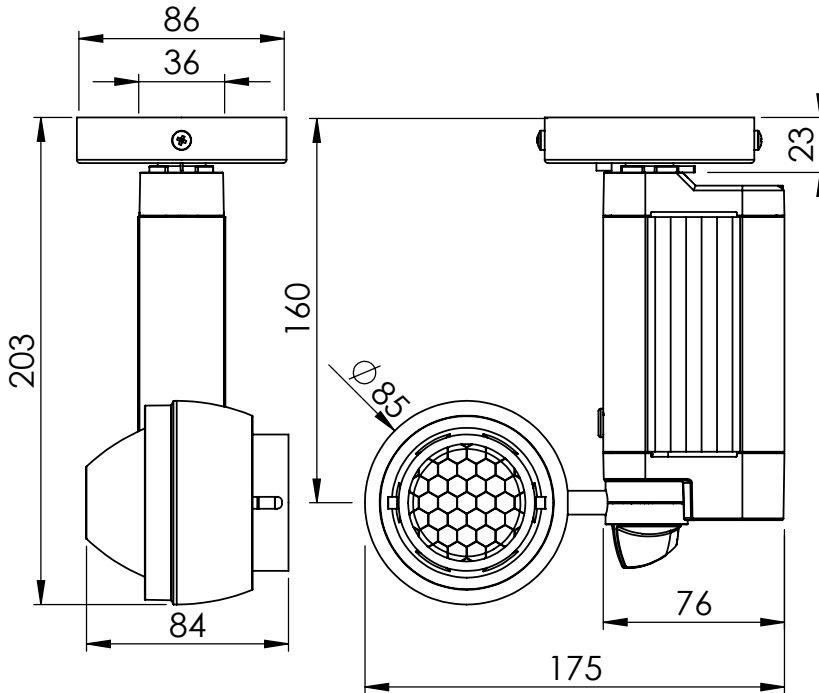


Specification Sheet 92602-1*

Issue Date: May 2008

Fixing Centres 51mm Ø4.5mm Hole



NB Light fittings become hot during use – please exercise appropriate caution.



Sample Lamp Data for BLV 12V 50W MR16 Tungsten Halogen Ø51mm Dichroic Reflector

Beam Detail	LP Code	Peak Illumination / Lux				AV Lamp Life / hours	Colour Temperature / °K
		1.0m	2.0m	3.0m	4.0m		
12° Spot	105-018	11,000	2,750	1,222	688	4,000	3,000
24° Flood	105-019	2,800	700	311	175	4,000	3,000
36° Wide Flood	105-020	1,580	395	176	99	4,000	3,000
60° Very Wide Flood	105-021	850	213	94	53	4,000	3,000
24° Flood	105-062	2,700	675	300	169	10,000	3,100
36° Wide Flood	105-063	1,500	375	167	94	10,000	3,100

Please note that alternative beam angles and lamp wattage may be available. Please refer to lamp specification sheet LS002 for more details.

FINISHES AVAILABLE

White (RAL 9010)
Part Number 92602-11

Black (RAL 9011)
Part Number 92602-12

Specified BS/RAL
Part Number 92602-13 + BS/RAL No

FACTORY FITTED OPTIONS

n/a

ACCESSORIES / SPARES

Accessory Holder	248-1501-*
5mm Honeycomb Louvre ◊	248-1521-2
Scrim Filter 20% Obscured ◊	248-1552
Scrim Filter 30% Obscured ◊	248-1553
Scrim Filter 50% Obscured ◊	248-1555
Colour Glass ◊	248-1510-***
(See sheet CG001)	
Spread Lens Ribbed ◊	248-1511
UV Filter ◊	248-1513
IR Filter ◊	248-1514
Light Frost ◊	248-1516
Medium Frost ◊	248-1517
Heavy Frost ◊	248-1518
C Spring	248-1506

◊ Indicates C Spring is required with 'In Ring'



Product Name:

Ray Don 1 D

Description:

MR16 Electronic Self Dimmable Integral Low Voltage Spotlight on Ceiling Plate

Part Number:

92602-1*

* = Adaptor and Finish Code

TECHNICAL DETAILS

Lamp: QRCB51 / HRGI-GU5.3-51

Lamp Holder: Bi-Pin GX5.3

Supply Voltage: 230/240V

Lamp Voltage: 12V

Max Lamp Wattage: 50W

Weight: 0.57kg

'In Ring' Glass Size: Ø54mm

Housing:

Cast aluminium with a polyester powder coated finish

Transformer:

Integral electronic transformer with inbuilt dimmer, dimmable to nominal 25% intensity. Remote dimming is possible with most domestic or hard fired dimmers. Please ask to confirm specific compatibility.

SPECIFICATION EXAMPLE

Ray Don 1 D, Black Finish with Light Frost and 12V 50W 24° MR16 Lamp:

Fitting Code (with mounting option and finish) + Accessory Codes + Lamp Code

92602-12 + 248-1501-2 + 248-1516 + 248-1506 + 105-019

Light Projects is a division of the Light Projects Group of companies, London. **Product Improvements** In pursuance of the Light Projects Group policy of continuing product improvement, the products and product specifications included in this publication are liable to be modified without notice. **Trademarks** Unless otherwise indicated, the trademarks and tradenames in this publication are registered, or unregistered, industrial property rights of Light Projects Limited. **Patents** The fitting in this publication may be covered by Patents, Patent Applications and/or Design Registrations. Designed to conform to BS EN 60598. This specification sheet supersedes all previous. Please notify Light Projects Limited of any inaccuracies immediately. E&OE.

Light Projects 23 Jacob St London SE1 2BG Tel +44 (0)20 7231 8282 Fax +44 (0)20 7237 4342
Website www.lightprojects.co.uk Email info@lightprojects.co.uk