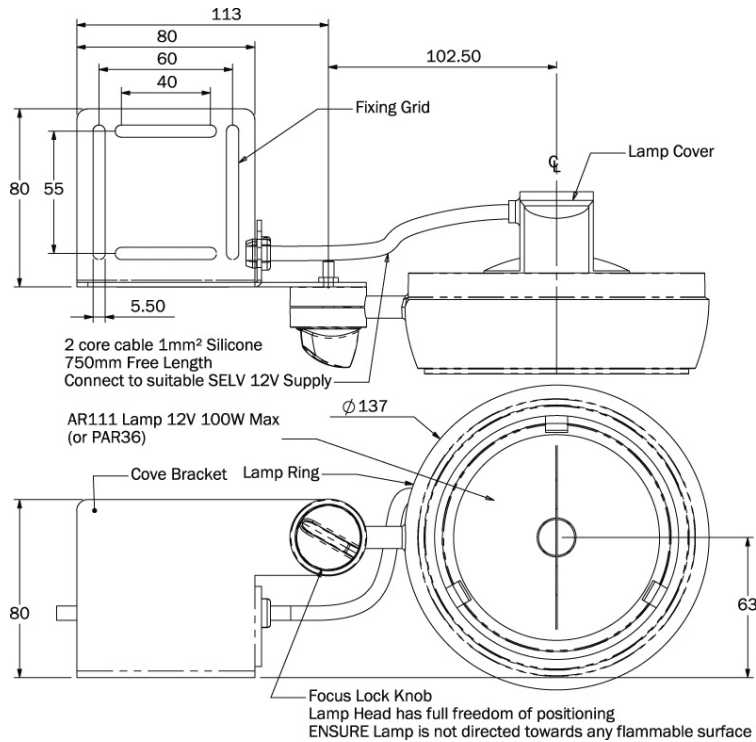


Specification Sheet 92000-K*

Issue Date: May 2008



Product Name:

Ray On

Description:

AR111 / PAR36 Low Voltage Spotlight
Remote on Ledge Mount Bracket

Part Number:

92000-K*

* = Adaptor and Finish Code

TECHNICAL DETAILS

Lamp: HMG-100-12-G53-111 or PAR36

Lamp Holder: Screw Terminal G53

Supply Voltage: 12V

Lamp Voltage: 12V

Max Lamp Wattage: 100W

Weight: 0.35kg

'In Ring' Glass Size: Ø100mm

Lamp Housing:

Cast aluminium with a polyester powder coated finish.

Bracket:

Aluminium with a polyester powder coated finish

Transformer:

Requires a remote SELV transformer to EN60742 or BS3535

For more information please refer to transformer specification sheet TR001

NB Light fittings become hot during use - please exercise appropriate caution.



Sample Lamp Data for Osram 12V 75W and 100W AR111 Reflector Lamps

Beam Detail	LP Code	Peak Illumination / Lux				AV Lamp Life / hours	Colour Temperature / °K
		1.0m	2.0m	3.0m	4.0m		
75W AR111 8°	105-118	30,000	7,500	3,333	1,875	2,000	3,000
75W AR111 24°	105-119	5,300	1,325	589	331	2,000	3,000
75W AR111 45°	105-120	2,000	500	222	125	2,000	3,000
100W AR111 8°	105-121	48,000	12,000	5,333	3,000	2,000	3,000
100W AR111 24°	105-122	8,500	2,125	944	531	2,000	3,000
100W AR111 45°	105-123	2,800	700	311	175	2,000	3,000

Please note that alternative beam angles and lamp wattage may be available.

Please refer to lamp specification sheet LS002 for more details.

Please note lamp fixing not suitable for Osram IRC lamps with plastic reflectors.

FINISHES AVAILABLE

White (RAL 9010)
Part Number 92000-K1

Black (RAL 9011)
Part Number 92000-K2

Specified BS/RAL
Part Number 92000-K3 + BS/RAL No

FACTORY FITTED OPTIONS

n/a

ACCESSORIES / SPARES

	Cassette	'In Ring'
Accessory Holder	92901-0*	92801-0*
13mm Eggcrate		
Louvre	92910-02	92810-02
5mm Honeycomb		
Louvre ◊	92911-02	92811-02
Scrim Filter 20%		
Obscured ◊	92932-02	92832-02
Scrim Filter 30%		
Obscured ◊	92933-02	92833-02
Scrim Filter 50%		
Obscured ◊	92935-02	92835-02
Colour Glass ◊	92951-02***	92851-02***
(See sheet CG001)		
Spread Lens	92952-02	92852-02
Ribbed ◊		
UV Filter ◊	92954-02	92854-02
IR Filter ◊	92955-02	92855-02
Light Frost ◊	92957-02	92857-02
Medium Frost ◊	92958-02	92858-02
Heavy Frost ◊	92959-02	92859-02
C Spring	N/A	92890-00

◊ Indicates C Spring is required with 'In Ring'

SPECIFICATION EXAMPLE

Ray On, Black Finish with Light Frost in the Cassette and 12V 100W 24° AR111 Lamp:

Fitting Code (with mounting option and finish) + Accessory Codes + Lamp Code

92000-K2 + 92901-02 + 92957-02 + 105-122

Light Projects is a division of the Light Projects Group of companies, London. **Product Improvements** In pursuance of the Light Projects Group policy of continuing product improvement, the products and product specifications included in this publication are liable to be modified without notice. **Trademarks** Unless otherwise indicated, the trademarks and tradenames in this publication are registered, or unregistered, industrial property rights of Light Projects Limited. **Patents** The fitting in this publication may be covered by Patents, Patent Applications and/or Design Registrations. Designed to conform to BS EN 60598. This specification sheet supersedes all previous. Please notify Light Projects Limited of any inaccuracies immediately. E&OE.