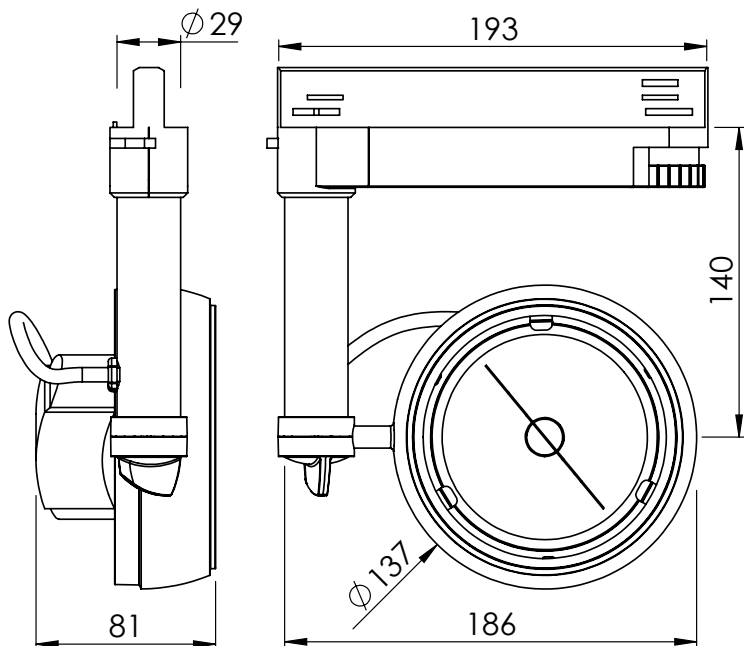


Specification Sheet 92000-6*

Issue Date: May 2008



Product Name:

Ray Ted 6

Description:

AR111 / PAR36 Low Voltage Spotlight on Electronic Multi Adaptor

Part Number:

92000-6*

* = Adaptor and Finish Code

TECHNICAL DETAILS

Lamp: HMG-100-12-G53-111 or PAR36

Lamp Holder: Screw Terminal G53

Supply Voltage: 230V

Lamp Voltage: 12V

Max Lamp Wattage: 35 - 75W

Weight: 0.5kg

'In Ring' Glass Size: Ø100mm

Housing:

Cast aluminium with a polyester powder coated finish.

Transformer / Track Adaptor:

Integral electronic transformer/multi-track adaptor with inbuilt transformer

A trailing edge dimmer is required for master control

For more information please refer to track specification sheet TK002

NB Light fittings become hot during use - please exercise appropriate caution.



Sample Lamp Data for 12V 50W GE PAR36 (Incandescent) and Osram AR111 Reflector Lamps

Beam Detail	LP Code	Peak Illumination / Lux				AV Lamp Life / hours	Colour Temperature / °K
		1.0m	2.0m	3.0m	4.0m		
75W AR111 8°	105-118	30,000	7,500	3,333	1,875	2,000	3,000
75W AR111 24°	105-119	5,300	1,325	589	331	2,000	3,000
75W AR111 45°	105-120	2,000	500	222	125	2,000	3,000
100W AR111 8°	105-121	48,000	12,000	5,333	3,000	2,000	3,000
100W AR111 24°	105-122	8,500	2,125	944	531	2,000	3,000
100W AR111 45°	105-123	2,800	700	311	175	2,000	3,000

Please note that alternative beam angles and lamp wattage may be available.

Please refer to lamp specification sheet LS004 for more details.

Please note lamp fixing not suitable for Osram IRC lamps with plastic reflectors.

FINISHES AVAILABLE

White (RAL 9010)

Part Number 92000-61

Black (RAL 9011)

Part Number 92000-62

Specified BS/RAL

Part Number 92000-63 + BS/RAL No

FACTORY FITTED OPTIONS

n/a

Track Adaptor

European 3-Circuit track adaptor suitable for the following three circuit tracks: Eutrac, Erco, Nokia, Staff, Concord Lytespan 3, IGuzzini, Hoffmeister

ACCESSORIES / SPARES

	Cassette	'In Ring'
Accessory Holder	92901-0*	92801-0*
13mm Eggcrate		
Louvre	92910-02	92810-02
5mm Honeycomb Louvre	92911-02	92811-02
Obscured	92932-02	92832-02
Scrim Filter 20%		
Obscured	92933-02	92833-02
Scrim Filter 30%		
Obscured	92935-02	92835-02
Scrim Filter 50%		
Obscured	92951-02***	92851-02***
Colour Glass (See sheet CG001)		
Spread Lens	92952-02	92852-02
Ribbed		
UV Filter	92954-02	92854-02
IR Filter	92955-02	92855-02
Light Frost	92957-02	92857-02
Medium Frost	92958-02	92858-02
Heavy Frost	92959-02	92859-02
C Spring	N/A	92890-00

◊ Indicates C Spring is required with 'In Ring'

SPECIFICATION EXAMPLE

Ray Ted 6, Black Finish with Light Frost in the Cassette and 12V 50W 24° AR111 Lamp:

Fitting Code (with mounting option and finish) + Accessory Codes + Lamp Code

92000-62 + 92901-02 + 92957-02 + 105-117

Light Projects is a division of the Light Projects Group of companies, London. **Product Improvements** In pursuance of the Light Projects Group policy of continuing product improvement, the products and product specifications included in this publication are liable to be modified without notice. **Trademarks** Unless otherwise indicated, the trademarks and tradenames in this publication are registered, or unregistered, industrial property rights of Light Projects Limited. **Patents** The fitting in this publication may be covered by Patents, Patent Applications and/or Design Registrations. Designed to conform to BS EN 60598. This specification sheet supersedes all previous. Please notify Light Projects Limited of any inaccuracies immediately. E&OE.