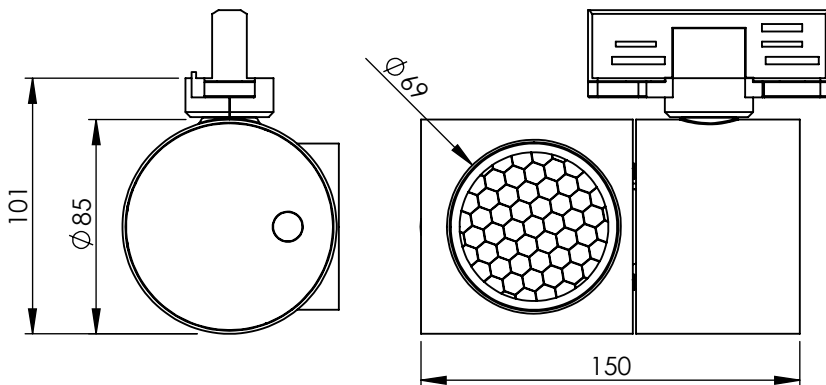


# Specification Sheet 40301-3\*

Issue Date: November 2009



NB Light fittings become hot during use – please exercise appropriate caution.



### Sample Data for BLV 12V QT12 Axial Tungsten Halogen Capsule Lamp

Wattage	LP Code	Luminous Flux (lm)		AV Lamp Life / hours	Colour Temperature / K
20W	106-008	320	Photometric Data on Request	2,000	3,000
35W	106-010	600		2,000	3,000
50W	106-012	910		2,000	3,000

### FINISHES AVAILABLE

- White (RAL 9010)**  
Part Number 40301-31
- Black (RAL 9011)**  
Part Number 40301-32

**Specified BS/RAL**  
Part Number 40301-33 + BS/RAL No

### FACTORY FITTED OPTIONS

- Spoton 3 with no Reflector 40301-3\*
- Spoton 3 with Spot 10° Reflector 40301-3\*-S
- Spoton 3 with Medium 20° Reflector 40301-3\*-M
- Spoton 3 with Wide 30° Reflector 40301-3\*-W

### Track Adaptor

European 3-Circuit track adaptor suitable for the following three circuit tracks: Eutrac, Ercos, Nokia, Staff, Concord Lytespan 3, IGuzzini, Hoffmeister

### Product Name:

Spoton 3

### Description:

QT12 Reflector Integral Spotlight on Multi Track Adaptor

### Part Number:

40301-3\*#

\* = Finish Code  
# = Reflector Option

### TECHNICAL DETAILS

**Lamp:** QT12 Capsule + Axial Filament 12mm diameter, 30mm LCL

**Lamp Holder:** GY6.35

**Supply Voltage:** 230/240V

**Lamp Voltage:** 12V

**Lamp Wattage:** 50W

**Weight:** 1.0kg

**Glass Size:** Ø63mm

### Housing:

Aluminium with a polyester powder coated finish

### Transformer:

Integral toroidal transformer with self re-setting thermal cut-out

A hard fired dimmer is required for dimming

### Track Adaptor:

Supplied with European 3-Circuit track adaptor. For more information please refer to track specification sheet TK002

### ACCESSORIES / SPARES

- Accessory Holder 248-2401-2
- Coloured Glass ♦ 248-2410-\*\*\*
- (\*\*\*=colour See CG001 for codes)
- 5mm Louvre 248-2421-2
- 13.5mm Louvre \* 248-2422-2
- 10° Spot Reflector 248-2439-S
- 20° Medium Reflector 248-2439-M
- 30° Wide Reflector 248-2439-W
- C Spring 248-2406

♦ Indicates C Spring is required

\* 13mm Louvre is standard on Spot reflector Luminaire but is an optional extra on all other variants.

### SPECIFICATION EXAMPLE

Spoton 3, Black Finish with a Medium Reflector, 5mm Louvre and 12V 50W Lamp:

Fitting Code (with finish & reflector option) + Accessory Codes + Lamp Code

**40301-32-M + 248-0221-2 + 106-012**

Light Projects is a division of the Light Projects Group of companies, London. **Product Improvements** In pursuance of the Light Projects Group policy of continuing product improvement, the products and product specifications included in this publication are liable to be modified without notice. **Trademarks** Unless otherwise indicated, the trademarks and tradenames in this publication are registered, or unregistered, industrial property rights of Light Projects Limited. **Patents** The fitting in this publication may be covered by Patents, Patent Applications and/or Design Registrations. Designed to conform to BS EN 60598. This specification sheet supersedes all previous. Please notify Light Projects Limited of any inaccuracies immediately. E&OE.