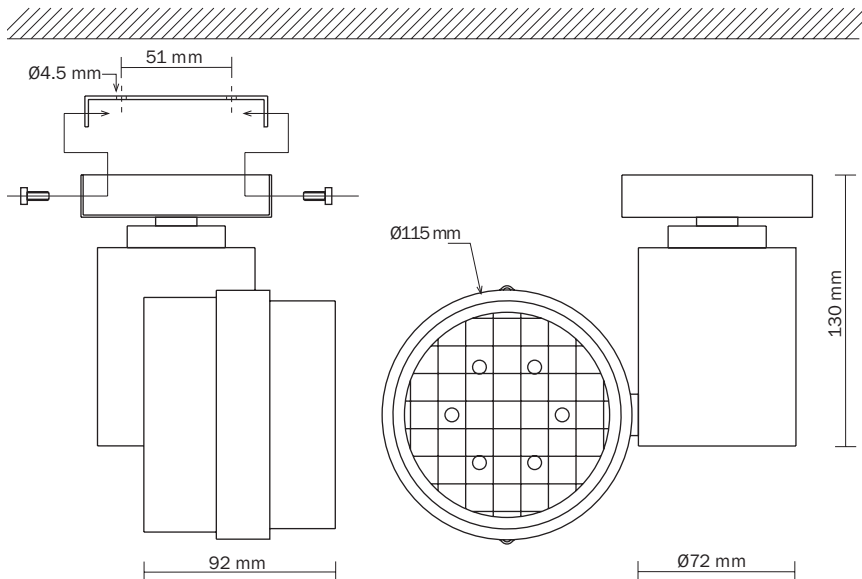


Specification Sheet 9636-1*

Issue Date: November 2009



Product Name:

Toucan 1

Description:

AR111 / PAR36 Electronic Integral Low Voltage Spotlight on Surface Plate

Part Number:

9636-1*

* = Finish Code

TECHNICAL DETAILS

Lamp: HMG-100-12-G53-111 or PAR36

Lamp Holder: Screw Terminal G53

Supply Voltage: 230/240V

Lamp Voltage: 12V

Lamp Wattage: 35 - 100W

Weight: 0.7kg

Glass Size: Ø100mm

Housing:

Steel and aluminium with a polyester powder coated finish

Transformer:

Integral electronic transformer with inbuilt dimmer, dimmable to nominal 25% intensity. Remote dimming is possible with most domestic or hard fired simmers. Please ask to confirm specific compatibility

NB Light fittings become hot during use – please exercise appropriate caution.



Sample Lamp Data for Osram 12V 75W and 100W AR111 Reflector Lamps

Beam Detail	LP Code	Peak Illumination / Lux				AV Lamp Life / hours	Colour Temperature / °K
		1.0m	2.0m	3.0m	4.0m		
75W AR111 8°	105-118	30,000	7,500	3,333	1,875	2,000	3,000
75W AR111 24°	105-119	5,300	1,325	589	331	2,000	3,000
75W AR111 45°	105-120	1,700	425	189	106	2,000	3,000
100W AR111 8°	105-121	48,000	12,000	5,333	3,000	2,000	3,000
100W AR111 24°	105-122	8,500	2,125	944	531	2,000	3,000
100W AR111 45°	105-123	2,800	700	311	175	2,000	3,000

Please note that alternative beam angles and lamp wattage may be available. Please refer to lamp specification sheet LS004 for more details.

FINISHES AVAILABLE

White (RAL 9010)
Part Number 9636-11

Black (RAL 9011)
Part Number 9636-12

Specified BS/RAL
Part Number 9636-13 + BS/RAL No

FACTORY FITTED OPTIONS

n/a

ACCESSORIES / SPARES

C Spring	248-0306
Replacement Standard Snoot	248-0307-*
Colour Glass ◊	248-0310-***
(See sheet CG001)	
Spread Lens Ribbed ◊	248-0311
UV Filter ◊	248-0313
IR Filter ◊	248-0314
Colour Dichroic Glass	248-0315-***
(See sheet CDG001)	
Light Frost ◊	248-0316
Medium Frost ◊	248-0317
Heavy Frost ◊	248-0318
Eggcrate Louvre	248-0323-2
Full Tube Cowl	248-0328-*
Cone Cowl	248-0331-*
Safety Glass ◊	248-0370

◊ Indicates C Spring is required

SPECIFICATION EXAMPLE

Toucan 1, Black Finish with Light Frost and 12V 100W 24° AR111 Lamp:

Fitting Code (with finish) + Option Code + Accessory Codes + Lamp Code

9636-12 + 248-0306 + 247-0316 + 105-122

Light Projects is a division of the Light Projects Group of companies, London. **Product Improvements** In pursuance of the Light Projects Group policy of continuing product improvement, the products and product specifications included in this publication are liable to be modified without notice. **Trademarks** Unless otherwise indicated, the trademarks and tradenames in this publication are registered, or unregistered, industrial property rights of Light Projects Limited. **Patents** The fitting in this publication may be covered by Patents, Patent Applications and/or Design Registrations. Designed to conform to BS EN 60598. This specification sheet supersedes all previous. Please notify Light Projects Limited of any inaccuracies immediately. E&OE.