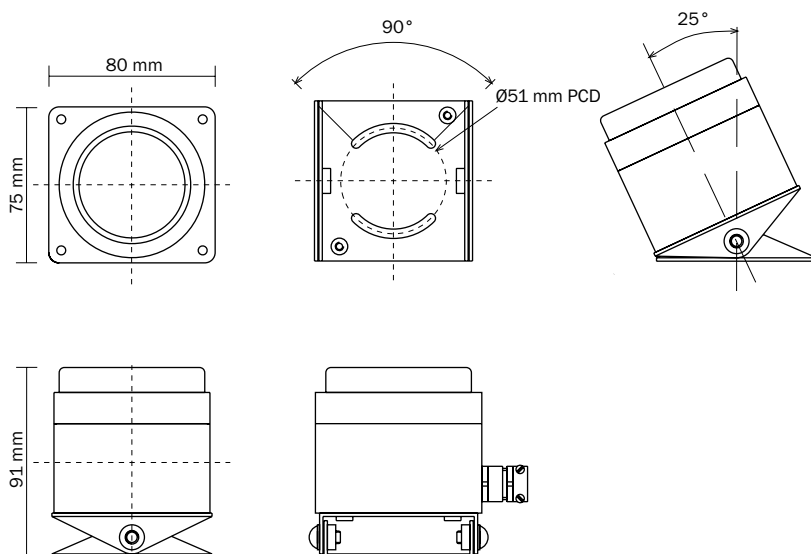


Specification Sheet 2316-0*

Issue Date: January 2006



Product Name:

Window Reveal 1

Description:

Exterior M16 Remote Low Voltage Surface Mounted Spotlight

Part Number:

2316-0*

* = Finish Code

TECHNICAL DETAILS

Lamp: QRCB51 / HRGI-GU5.3-51

Lamp Holder: Bi-Pin GX5.3

Supply Voltage: 12V

Lamp Voltage: 12V

Max Lamp Wattage: 50W

Weight: Aluminium 0.3kg (excluding cable)

Glass Size: Ø44mm

Supplied Cable: 2.5m 2-Core 1.5mm² Silicone

Housing:

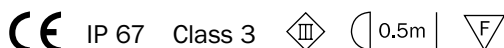
Anodised aluminium housing with a PTFE painted finish or solid brass with specified finish

Transformer:

Requires a remote SELV transformer to EN60742 or BS3535

For more information please refer to transformer specification sheet TRE001

NB Light fittings become hot during use – please exercise appropriate caution.



Sample Lamp Data for BLV 12V 50W MR16 Tungsten Halogen 51mm Dichroic Reflector

Beam Detail	LP Code	Peak Illumination / Lux				AV Lamp Life / hours	Colour Temperature / °K
		1.0m	2.0m	3.0m	4.0m		
12° Spot	105-018	11,000	2,750	1,222	688	4,000	3,000
24° Flood	105-019	2,800	700	311	175	4,000	3,000
36° Wide Flood	105-020	1,580	395	176	99	4,000	3,000
60° Very Wide Flood	105-021	850	213	94	53	4,000	3,000
24° Flood	105-062	2,200	550	244	138	10,000	3,100
36° Wide Flood	105-063	1,500	375	167	94	10,000	3,100

Please note that alternative beam angles and lamp wattage may be available. Please refer to lamp specification sheet LS002 for more details.

FINISHES AVAILABLE

White (RAL 9016)
Part Number 2316-01

Black (RAL 9011)
Part Number 2316-02

Specified BS/RAL
Part Number 2316-03 + BS/RAL No

FACTORY FITTED OPTIONS

Extra cable per m - state length 247-0081/**m
Long Snoot 95084-0*

NB
Max length of cable 20W - 12m
35W - 7m
50W - 5m

ACCESSORIES / SPARES

C Spring	247-0506
Colour Glass ◊	247-0510-***
(See sheet CG001)	
Spread Lens Ribbed ◊	247-0511
Colour Dichroic Glass ◊	247-0515-***
(See sheet CDG001)	
Light Frost ◊	247-0516
Medium Frost ◊	247-0517
Heavy Frost ◊	247-0518
5mm Louvre ◊	247-0521-2
45° Louvre ◊	247-0524-2
Half Shield Cowl	247-0527-*
IP66 Connection Box	247-0080
Replacement Lampholder	247-0289

◊ Indicates C Spring is required

SPECIFICATION EXAMPLE

Window Reveal 1, Black Finish with extra 2m cable, Light Frost Lens and 12V 50W 24° Lamp:

Fitting Code (with finish) + Option Code + Accessory Codes + Lamp Code

2316-02 + 247-0081/2m + 247-0506 + 247-0516 + 105-019

Lightscape Projects is a division of the Light Projects Group of companies, London. **Product Improvements** In pursuance of the Light Projects Group policy of continuing product improvement, the products and product specifications included in this publication are liable to be modified without notice. **Trademarks** Unless otherwise indicated, the trademarks and tradenames in this publication are registered, or unregistered, industrial property rights of Light Projects Limited. **Patents** The fitting in this publication may be covered by Patents, Patent Applications and/or Design Registrations. Designed to conform to BS EN 60598. This specification sheet supersedes all previous. Please notify Light Projects Limited of any inaccuracies immediately. E&OE.