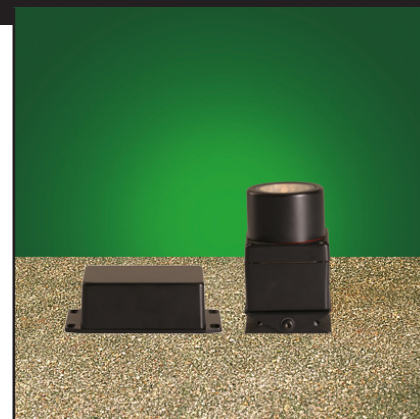
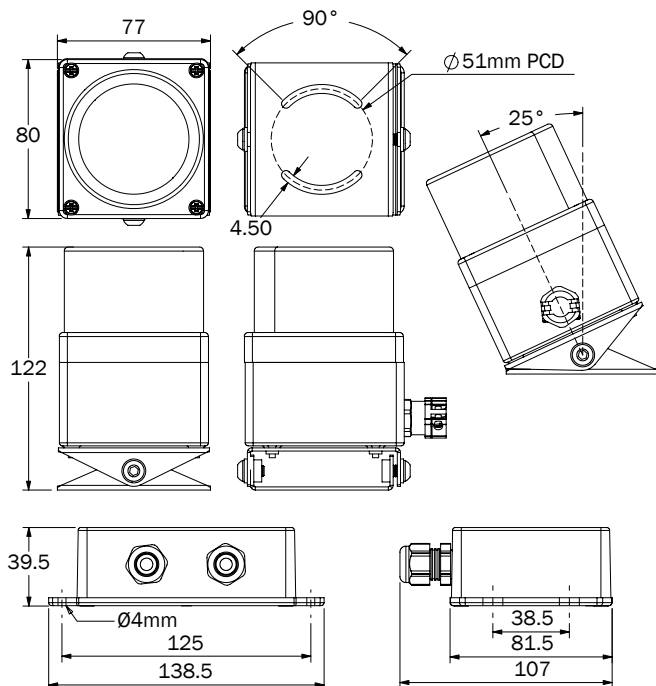


Specification Sheet 23116-0*

Issue Date: February 2008



Product Name:

Window Reveal 5

Description:

20W MR16-CMH Surface Mount Spotlight with Local Gear

Part Number:

23116-0*

* = Finish Code

TECHNICAL DETAILS

Lamp: HI-CE PAR16 (20W)

Lamp Holder: GX10

Supply Voltage: 230/240V

Lamp Voltage: 95V

Lamp Wattage: 20W

Weight: 1.8kg (excluding cable)

Glass Size: Ø44mm

Supplied Cable: 2.5m 2-Core 1mm² H07RN-F

Housing:

Anodised aluminium with a PTFE painted finish

Transformer:

Integral electronic ballast in polyester powder coated aluminium box.

NB Light fittings become hot during use – please exercise appropriate caution.



Sample Lamp Data for GE CMH 20W MR16 HID 51mm Dichroic Reflector

Beam Detail	LP Code	Peak Illumination / Lux				AV Lamp Life / hours	Colour Temperature / K
		1.0m	2.0m	3.0m	4.0m		
12° Spot	111-246	11936	2984	1326	746	9,000	3,000
25° Flood	111-247	3266	816	363	204	9,000	3,000
40° Wide Flood	111-248	1685	421	187	105	9,000	3,000

FINISHES AVAILABLE

White (RAL 9016)

Part Number 23116-01

Black (RAL 9011)

Part Number 23116-02

Specified BS/RAL

Part Number 23116-03 + BS/RAL No

FACTORY FITTED OPTIONS

Extra cable per m - state length

247-00821/**m

ACCESSORIES / SPARES

C Spring	247-0506
Colour Glass ◊	247-0510-***
(See sheet CG001)	
Spread Lens Ribbed ◊	247-0511
Colour Dichroic Glass ◊	247-0515-***
(See sheet CDG001)	
Light Frost ◊	247-0516
Medium Frost ◊	247-0517
Heavy Frost ◊	247-0518
5mm Louvre ◊	247-0521-2
45° Louvre ◊	247-0524-2
Half Shield Cowl	247-0527-*
IP66 Connection Box	247-0080
Replacement Lampholder	247-0289

◊ Indicates C Spring is required

SPECIFICATION EXAMPLE

Window Reveal 5, Black Finish with extra 2m cable, Light Frost Lens and 20W 25° Lamp:

Fitting Code (with finish) + Option Code + Accessory Codes + Lamp Code

23116-02 + 247-00821/2m + 247-0506 + 247-0516 + 111-247

Lightscape Projects is a division of the Light Projects Group of companies, London. **Product Improvements** In pursuance of the Light Projects Group policy of continuing product improvement, the products and product specifications included in this publication are liable to be modified without notice. **Trademarks** Unless otherwise indicated, the trademarks and tradenames in this publication are registered, or unregistered, industrial property rights of Light Projects Limited. **Patents** The fitting in this publication may be covered by Patents, Patent Applications and/or Design Registrations. Designed to conform to BS EN 60598. This specification sheet supersedes all previous. Please notify Light Projects Limited of any inaccuracies immediately. E&OE.

Light Projects 23 Jacob St London SE1 2BG Tel +44 (0)20 7231 8282 Fax +44 (0)20 7237 4342
 Website www.lightprojects.co.uk Email info@lightprojects.co.uk